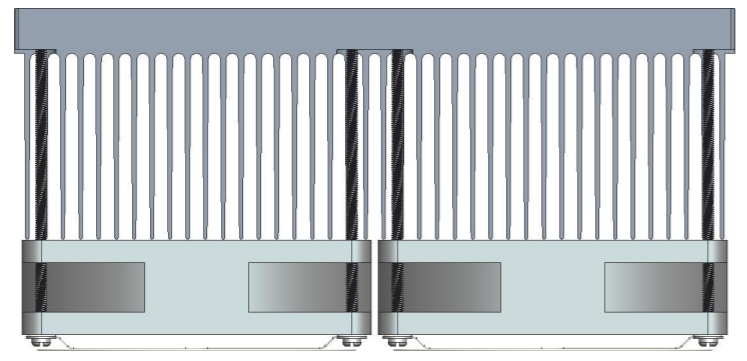
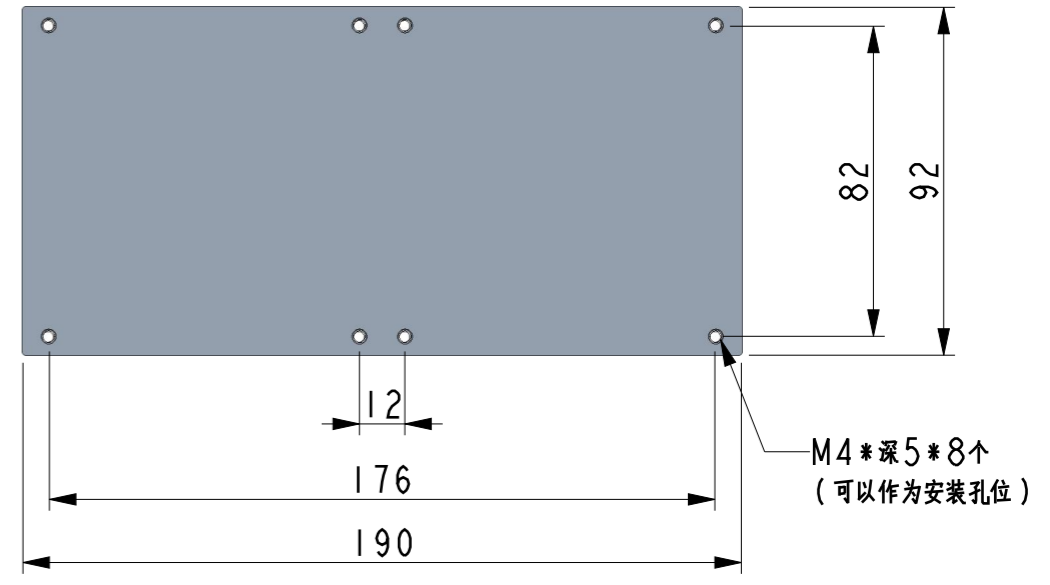
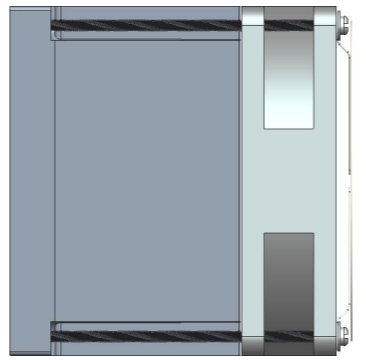
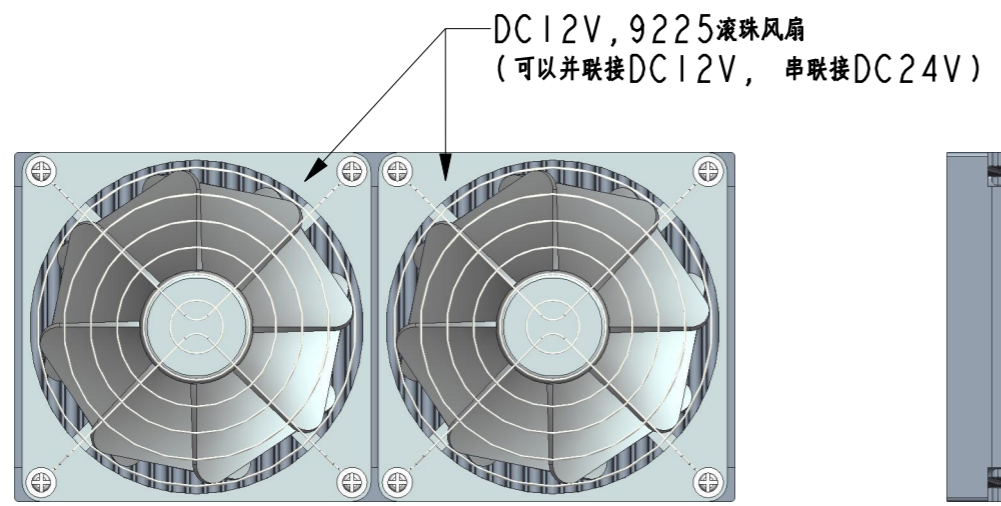
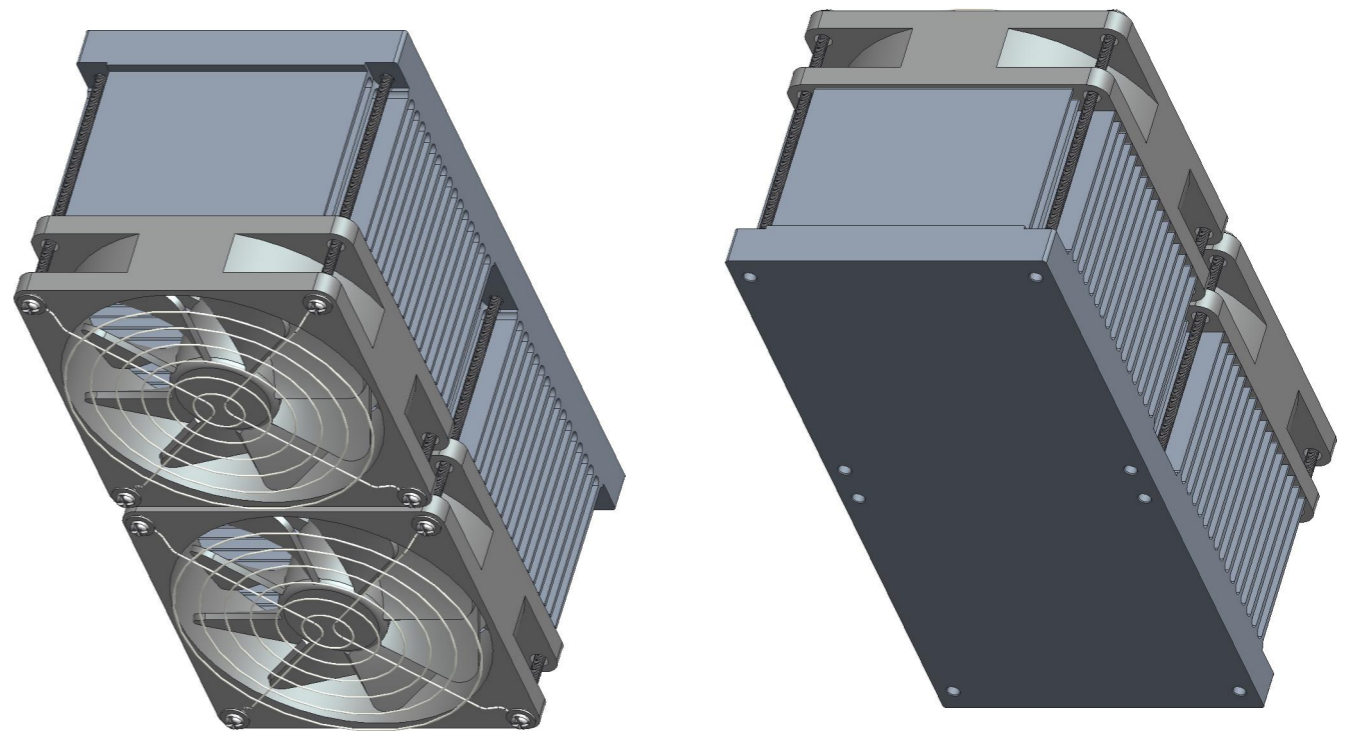
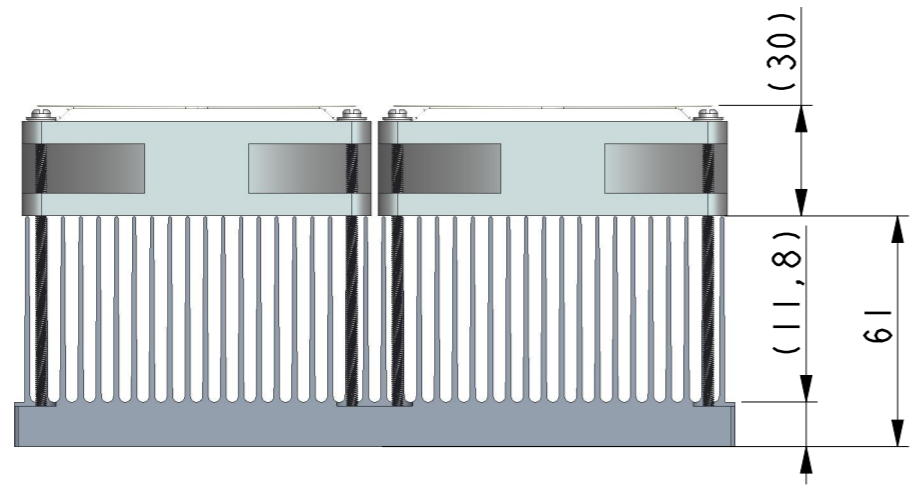
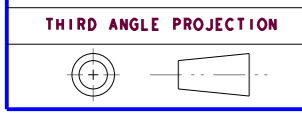


REVISIONS						
REV.	POS.	DESCRIPTION	DATE	DRW	APP	ECR#
A		INITIAL CREATION	2013/01/01	Gory	Meson	



1. UNLESS OTHERWISE SPECIFIED, DIMENSIONS ARE MM 2. TOLERANCE ARE AS FOLLOWS: 0 < X < 2 ± 0.06 2 < X < 10 ± 0.08 10 < X < 50 ± 0.12 50 < X < 100 ± 0.16 100 < X < 200 ± 0.20 200 < X < 300 ± 0.30 ANGLES ± 0.5°	PART NO.	HBSD6	DESCRIPTION	第三代6, 92*190*90散热器/12VDC9225风扇, 适合120W~240W规格芯片散热 昆晶冷片(深圳)电子有限公司 KJLP (SHENZHEN) ELECTRONICS CO., LTD email: kjlp@kjlp.net http://www.kjlp.net Tel: +86-755-82528352 Fax: +86-755-22639899			
	SIGNATURE		DATE		CAD MODLE:	HBSD6.prt	SCALE: 1:1
DRAWN BY	Gory	2013/01/01	CAD DWG:		HBSD6.drw	SIZE: A3	SHEET: 1 OF 1
CHECKED BY	Justin	2013/01/01					
ENGR	Vivi	2013/01/01					
APPROVED BY	Mason	2013/01/01					
MATERIAL:	ISSUED BY	Jack	2013/01/01				

*DO NOT SCALE DRAWING



THIS DRAWING AND THE DATA DISCLOSED HEREIN OR HERewith IS NOT TO BE REPR ODUCE
 USED OR DISCLOSED OR IN PART TO ANYONE WITHOUT THE PERMISSION OF KJLP (SHENZHEN) ELECTRONICS
 CO., LTD.