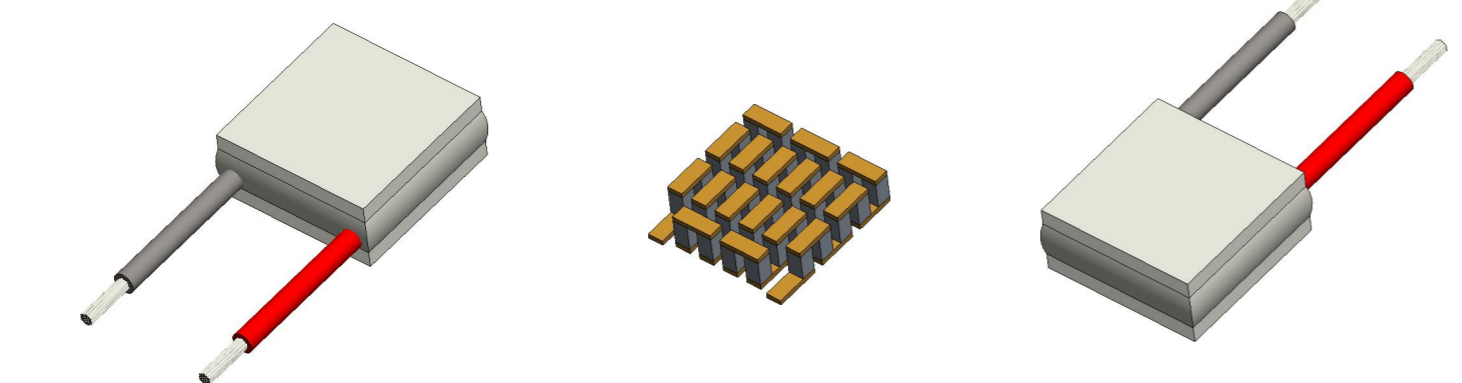
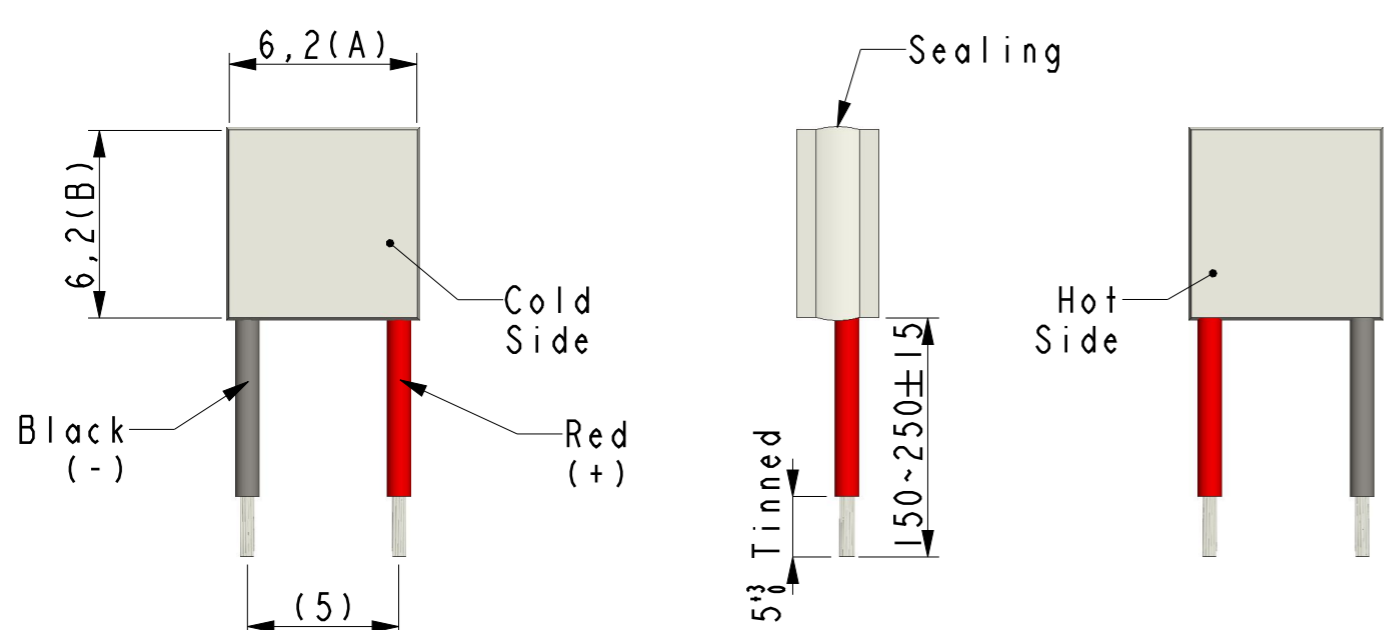
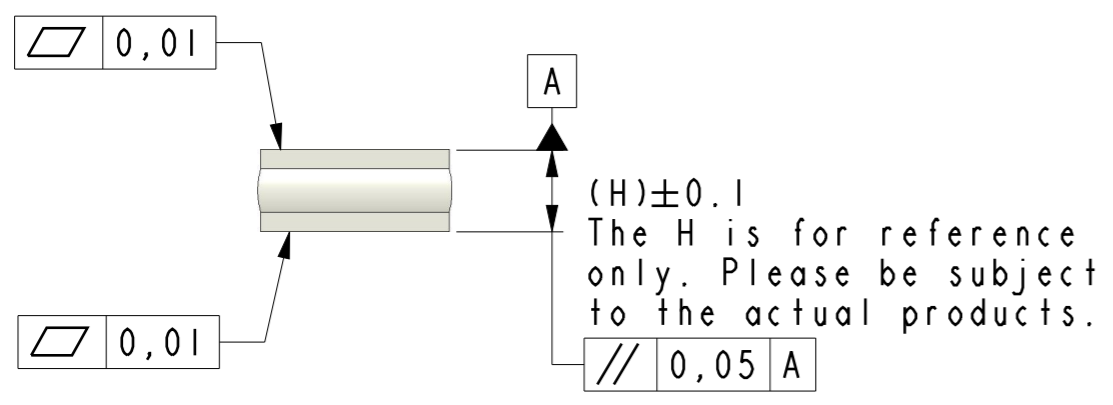
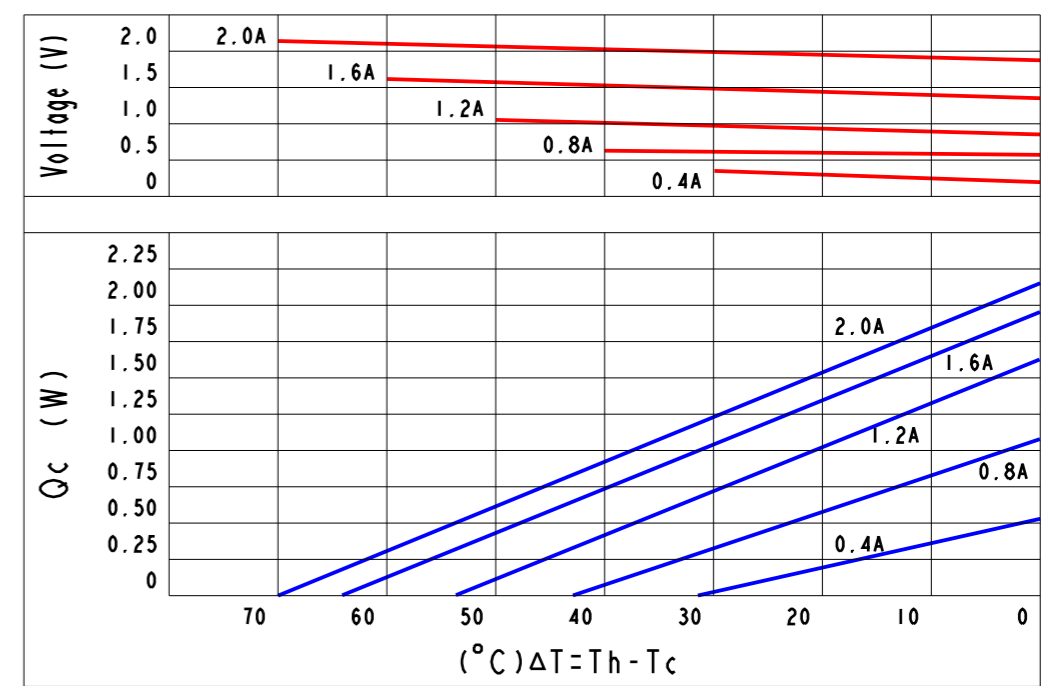


REVISIONS					
REV.	POS.	DESCRIPTION	DATE	DRW	APP
A		INITIAL CREATION	2013/09/09	Gory	Mason



Curve Chart(Be Confined To TESI-017206262):



Part Number And Feature:

T	E	S	I	-	0	1	7	x	x	6	2	6	2	Sealing	YES
↓	↓		↓	↓	↓	↓	↓	↓	↓	↓	↓	↓	↓	Operation Temperature	125°C(Max.)
Thermo	Electric	Chip(Small)	Stage	Stack	N & P	Stack	Quantity	Current	A(Max.)	Dimension	(A)	Dimension	(B)	Melting Point	138°C
														Storage Temperature	-60°C~100°C
														RoHS	YES

Technical Data:

ITEM	Part NO.	Stack(P&N)	A(Max.)	V(Max.)	Q_c (W) / $T_h=27^{\circ}C$ / $\Delta T(^{\circ}C)$	DIM(A)	DIM(B)	DIM(H)
1	TESI-017086262	17	0.8 A	2 V	0.93W	70°C	6.2	6.2
2	TESI-017126262	17	1.2 A	2 V	1.4W	70°C	6.2	6.2
3	TESI-017156262	17	1.5 A	2 V	1.8W	70°C	6.2	6.2
4	TESI-017206262	17	2.0 A	2 V	2.3W	70°C	6.2	6.2

- Notes:
1. Printing always on cold side.
 2. Torlerance of thermo and electric parameters $\pm 10\%$.
 3. Please mount heat sink before you use it. also, please do not exceed the extra voltage at any time.
 4. Please contact with us if you need Melting Point $183^{\circ}C$ (Operation Temperature $150^{\circ}C$ Max.) and $235^{\circ}C$ (Operation Temperature $200^{\circ}C$ Max.) type.

*DO NOT SCALE DRAWING

THIRD ANGLE PROJECTION

THIS DRAWING AND THE DATA DISCLOSED HEREIN OR HEREWITH IS NOT TO BE REPR ODUCE
USED OR DISCLOSED OR IN PART TO ANYONE WITHOUT THE PERMISSION OF KJLP (SHENZHEN) ELECTRONICS
CO., LTD.

1. UNLESS OTHERWISE SPECIFIED,
DIMENSIONS ARE MM
2 TOLERANCE ARE AS FOLLOWS:
0 < X < 2 ± 0.06
2 < X < 10 ± 0.08
10 < X < 50 ± 0.12
50 < X < 100 ± 0.16
100 < X < 200 ± 0.20
200 < X < 300 ± 0.30
ANGLES ± 0.5°

PART No.	TESI-017xx6262	DESCRIPTION	DC 2V(Max.), 0.8~2A(Max.), 17 P&N, 6.2*6.2mm		
SIGNATURE		DATE	昆晶冷片(深圳)电子有限公司		
DRAWN BY	Gory	2013/09/09	KJLP (SHENZHEN) ELECTRONICS CO., LTD		
CHECKED BY	Justin	2013/09/09	email: kjlp@kjlp.net http:// www.kjlp.net		
ENGR	Vivi	2013/09/09	Tel: +86-755-82528352 Fax: +86-755-22639899		
APPROVED BY	Mason	2013/09/09	CAD MODLE:	TESI-017xx6262.prt	SCALE: 1:1 REV: A
MATERIAL:	ISSUED BY	Jack	2013/09/09	CAD DWG:	TESI-017xx6262.drw
					SIZE: A3 SHEET: 1 OF 1