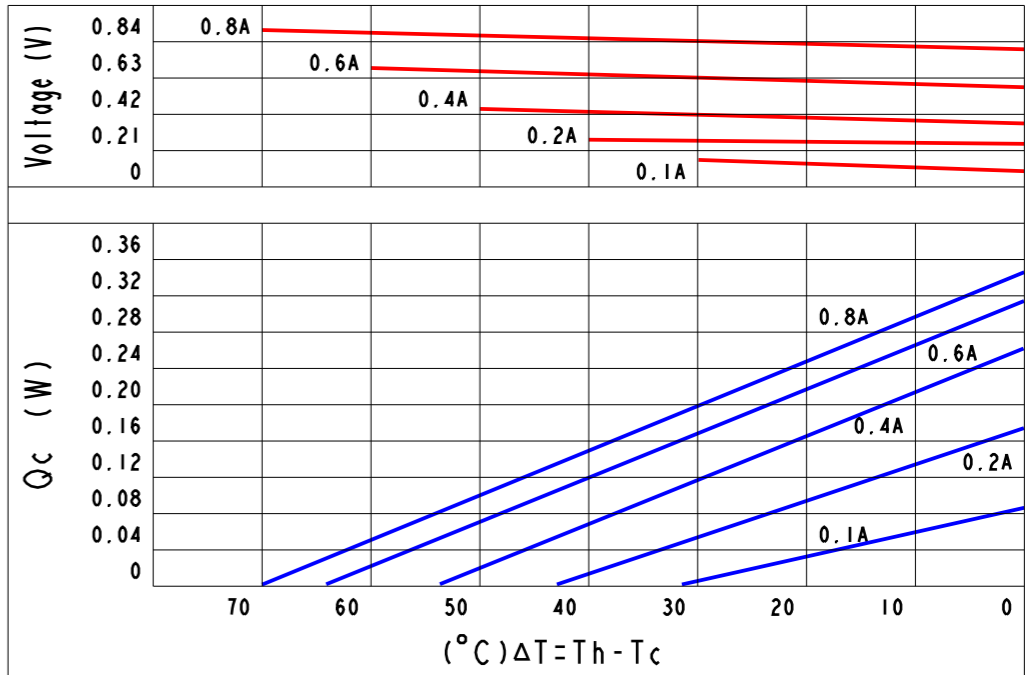


| REVISIONS | | | | | | |
|-----------|------|------------------|------------|------|-------|------|
| REV. | POS. | DESCRIPTION | DATE | DRW | APP | ECR# |
| A | | INITIAL CREATION | 2013/01/01 | Gory | Mason | |

Curve Chart(Be Confined To TESI-007083434):



Part Number And Feature:

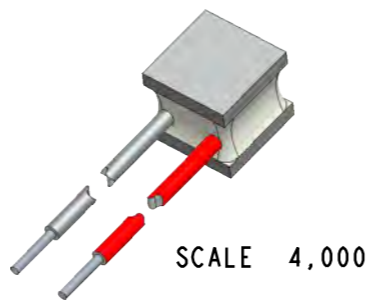
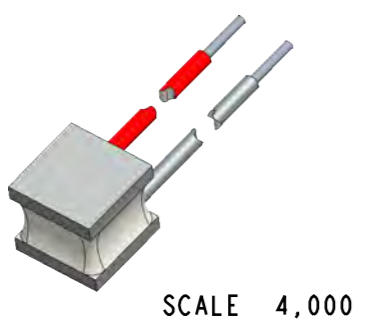
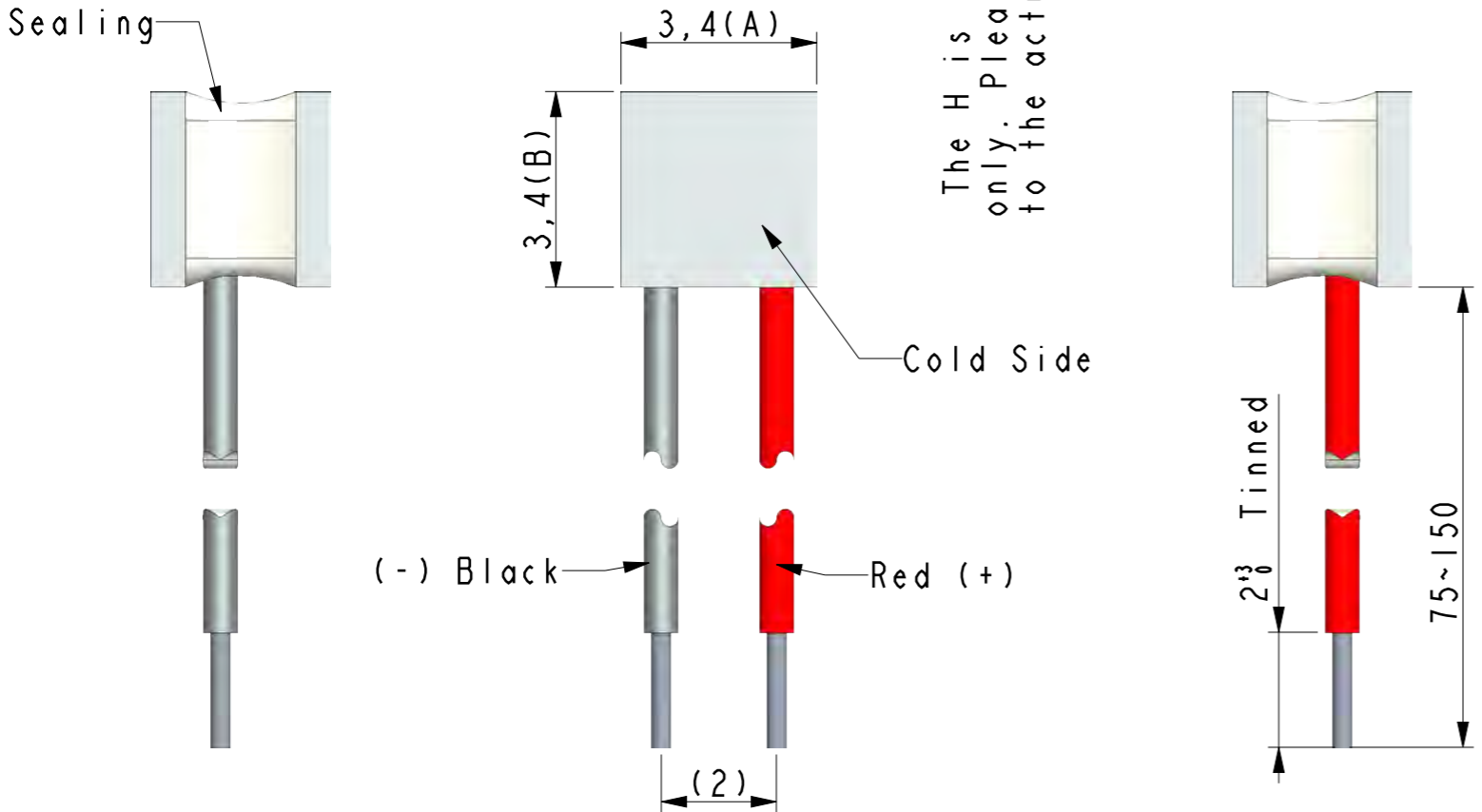
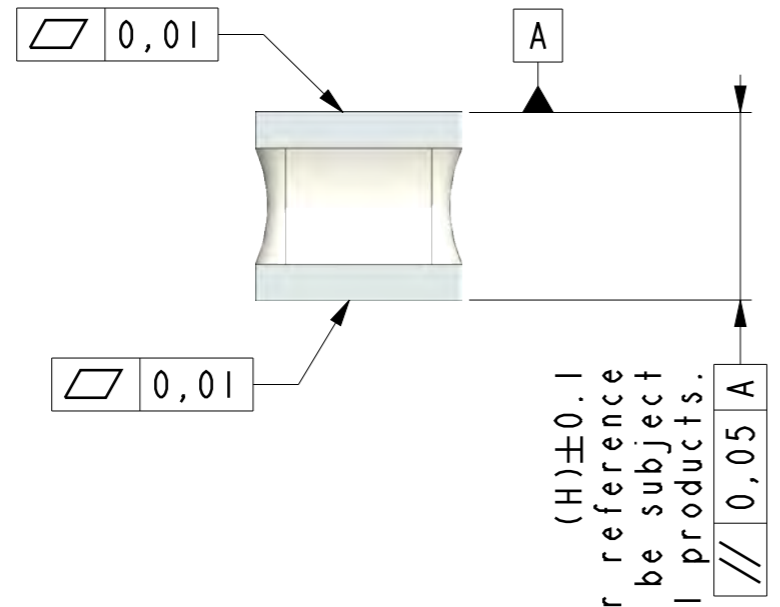
| | | | | | | | | | | | | | | | |
|--------|----------|-------------|-------|---|-------|-------|----------|---------|---------|-----------|-----|-----------|-----|-----------------------|-------------|
| T | E | S | I | - | 0 | 0 | 7 | x | x | 3 | 4 | 3 | 4 | Sealing | YES |
| ↓ | ↓ | | ↓ | ↓ | ↓ | ↓ | ↓ | ↓ | ↓ | ↓ | ↓ | ↓ | ↓ | Operation Temperature | 125°C(Max.) |
| Thermo | Electric | Chip(Small) | Stage | | N & P | Stack | Quantity | Current | A(Max.) | Dimension | (A) | Dimension | (B) | Melting Point | 138°C |
| | | | | | | | | | | | | | | Storage Temperature | -60°C~100°C |
| | | | | | | | | | | | | | | RoHS | YES |

Technical Data:

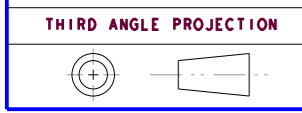
| ITEM | Part NO. | Stack(P&N) | A(Max.) | V(Max.) | Qc(W) /Th=27°C/ ΔT(°C) | DIM(A) | DIM(B) | DIM(H) |
|------|----------------|------------|---------|---------|------------------------|--------|--------|--------|
| I | TESI-007083434 | 7 | 0.8 A | 0.85 V | 0.38W / 70°C | 3.4 | 3.4 | RF3.1 |

Notes:

1. Printing always on cold side.
2. Tolerance of thermo and electric parameters ±10%.
3. Please mount heat sink before you use it. also, please do not exceed the extra voltage at any time.
4. Please contact with us if you need Melting Point 183°C (Operation Temperature 150°C Max.) and 235°C (Operation Temperature 200°C Max.) type.



*DO NOT SCALE DRAWING



THIS DRAWING AND THE DATA DISCLOSED HEREIN OR HERewith IS NOT TO BE REPR ODUCEd USED OR DISCLOSED OR IN PART TO ANYONE WITHOUT THE PERMISSION OF KJLP (SHENZHEN) ELECTRONICS CO., LTD.

1. UNLESS OTHERWISE SPECIFIED, DIMENSIONS ARE MM
2. TOLERANCE ARE AS FOLLOWS:
0 < X < 2 ± 0.06
2 < X < 10 ± 0.08
10 < X < 50 ± 0.12
50 < X < 100 ± 0.16
100 < X < 200 ± 0.20
200 < X < 300 ± 0.30
ANGLES ± 0.5°

| | | | | | |
|-------------|----------------|-------------|--|--------------------|------------------------|
| PART NO. | TESI-007xx3434 | DESCRIPTION | DC 0.85V(Max.), 0.8A(Max.), 7 P&N, 3.4*3.4mm | | |
| SIGNATURE | | DATE | 昆晶冷片(深圳)电子有限公司 | | |
| DRAWN BY | Gory | 2013/01/01 | KJLP (SHENZHEN)ELECTRONICS CO., LTD | | |
| CHECKED BY | Justin | 2013/01/01 | email: kjlp@kjlp.net http:// www.kjlp.net | | |
| ENGR | Vivi | 2013/01/01 | Tel: +86-755-82528352 Fax: +86-755-22639899 | | |
| APPROVED BY | Mason | 2013/01/01 | CAD MODLE: | TESI-007xx3434.prt | SCALE: 1:1 REV: A |
| MATERIAL: | ISSUED BY | Jack | 2013/01/01 | CAD DWG: | TESI-007xx3434.drw |
| | | | | | SIZE: A3 SHEET: 1 OF 1 |