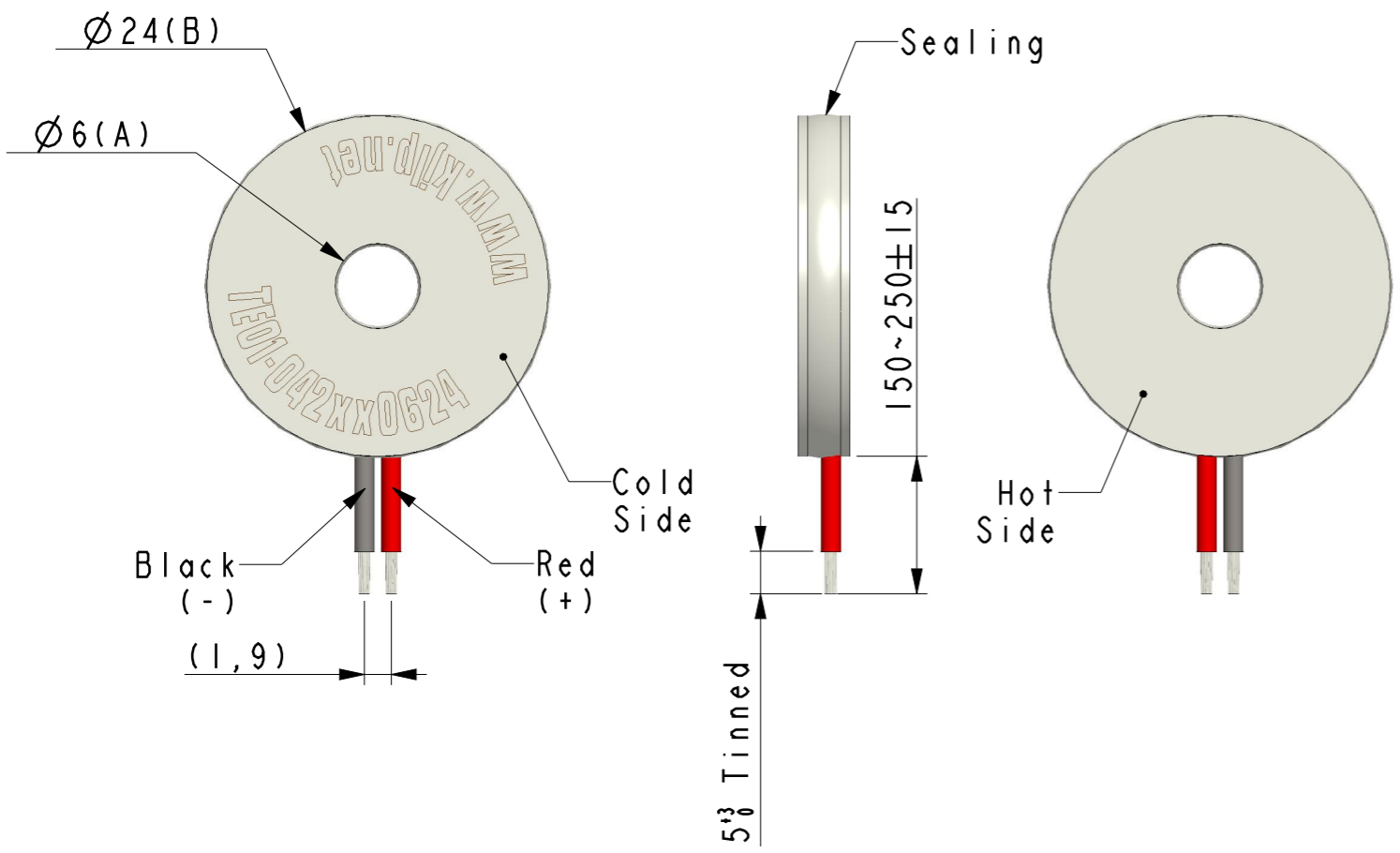
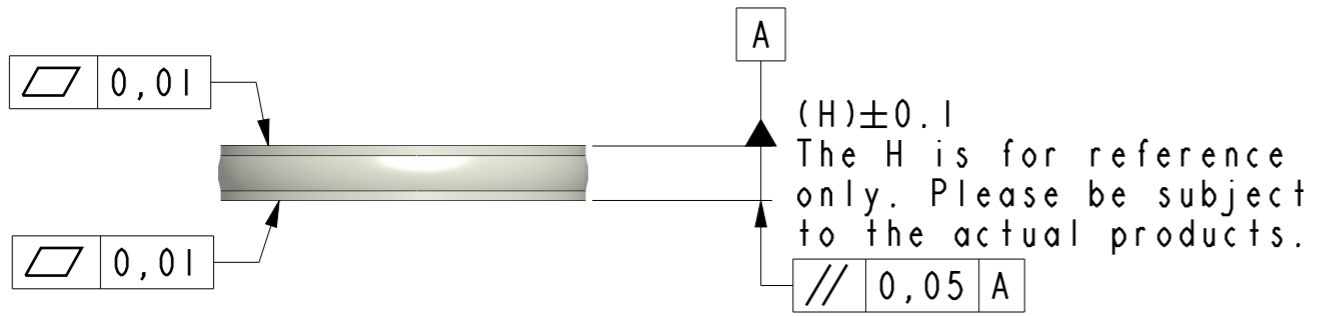
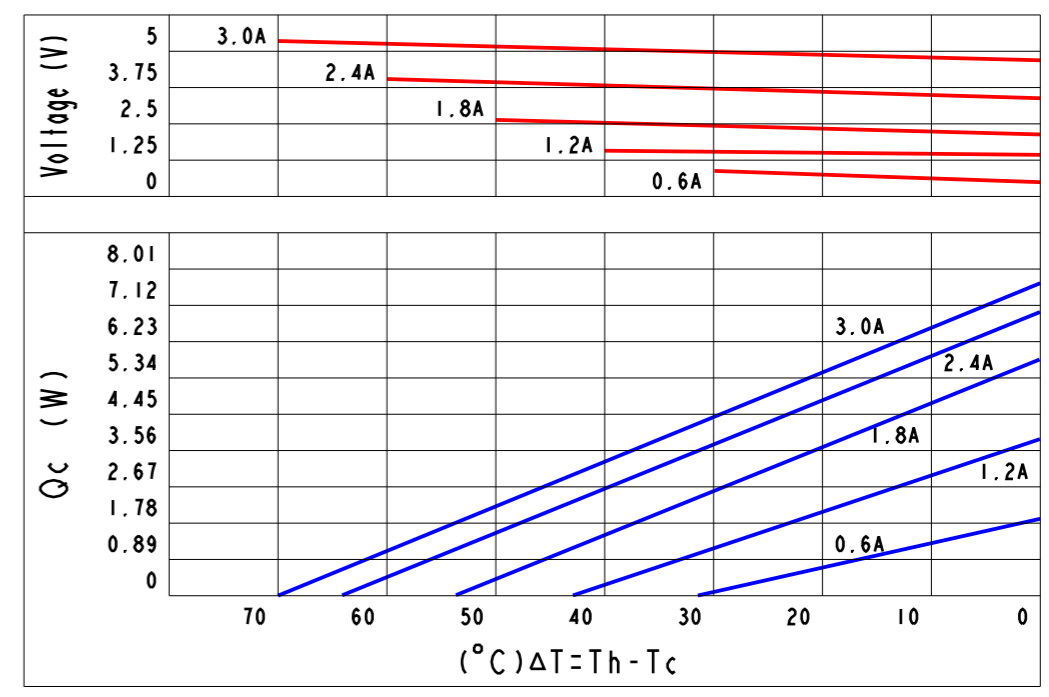


REVISIONS					
REV.	POS.	DESCRIPTION	DATE	DRW	APP
A		INITIAL CREATION	2013/09/09	Gory	Mason



Curve Chart(Be Confined To TE01-042030624):



Part Number And Feature:

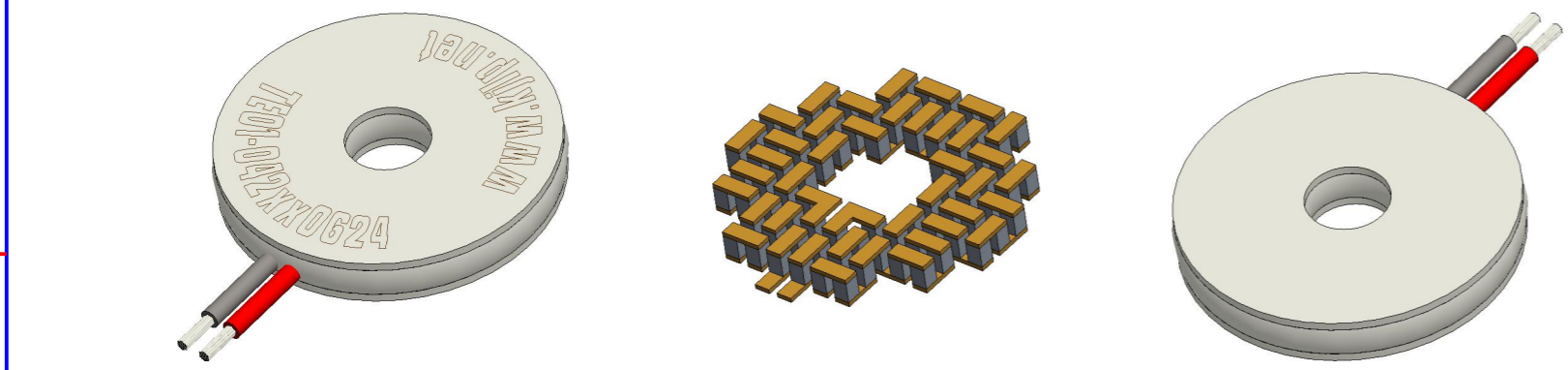
T	E	O	I	-	0	4	2	x	x	0	6	2	4	Sealing	YES
↓	↓				↓	↓	↓	↓	↓	↓	↓	↓	↓	Operation Temperature	125°C(Max.)
Thermo	Electric	Chip(O Type)	Stage	Stack	N & P	Quantity	Current	A(Max.)	Dimension	(A)	Dimension	(B)	Melting Point	138°C	
													Storage Temperature	-60°C~100°C	
													RoHS	YES	

Technical Data:

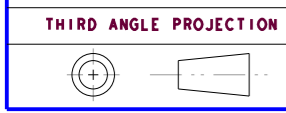
ITEM	Part NO.	Stack(P&N)	A(Max.)	V(Max.)	Qc(W) /Th=27°C/ ΔT(°C)	DIM(A)	DIM(B)	DIM(H)
1	TE01-042030624	42	3 A	5 V	8W	70°C	Ø6	Ø24

Notes:


1. Printing always on cold side.
2. Torlerance of thermo and electric parameters ±10%.
3. Please mount heat sink before you use it. also, please do not exceed the extra voltage at any time.
4. Please contact with us if you need Melting Point 183°C (Operation Temperature 150°C Max.) and 235°C (Operation Temperature 200°C Max.) type.



*DO NOT SCALE DRAWING



THIS DRAWING AND THE DATA DISCLOSED HEREIN OR HEREWITH IS NOT TO BE REPR ODUCE
USED OR DISCLOSED OR IN PART TO ANYONE WITHOUT THE PERMISSION OF KJLP (SHENZHEN) ELECTRONICS
CO., LTD.

<p>1. UNLESS OTHERWISE SPECIFIED, DIMENSIONS ARE MM</p> <p>2. TOLERANCE ARE AS FOLLOWS:</p> <p>0 < X < 2 ± 0.06</p> <p>2 < X < 10 ± 0.08</p> <p>10 < X < 50 ± 0.12</p> <p>50 < X < 100 ± 0.16</p> <p>100 < X < 200 ± 0.20</p> <p>200 < X < 300 ± 0.30</p> <p>ANGLES ± 0.5°</p>	PART No.	TE01-042xx0624	DESCRIPTION	DC 5V(Max.), 3A(Max.), 42 P&N, Ø6*Ø24mm					
	SIGNATURE		DATE	 <p>昆晶冷片(深圳)电子有限公司 KJLP (SHENZHEN) ELECTRONICS CO., LTD email: kjlp@kjlp.net http://www.kjlp.net Tel: +86-755-82528352 Fax: +86-755-22639899</p>					
	DRAWN BY	Gory	2013/09/09						
	CHECKED BY	Justin	2013/09/09						
ENGR	Vivi	2013/09/09							
APPROVED BY	Mason	2013/09/09	CAD MODLE:	TE01-042xx0624.prt	SCALE:	1:1	REV:	A	
MATERIAL:	ISSUED BY	Jack	2013/09/09	CAD DWG:	TE01-042xx0624.drw	SIZE:	A3	SHEET:	1 OF 1