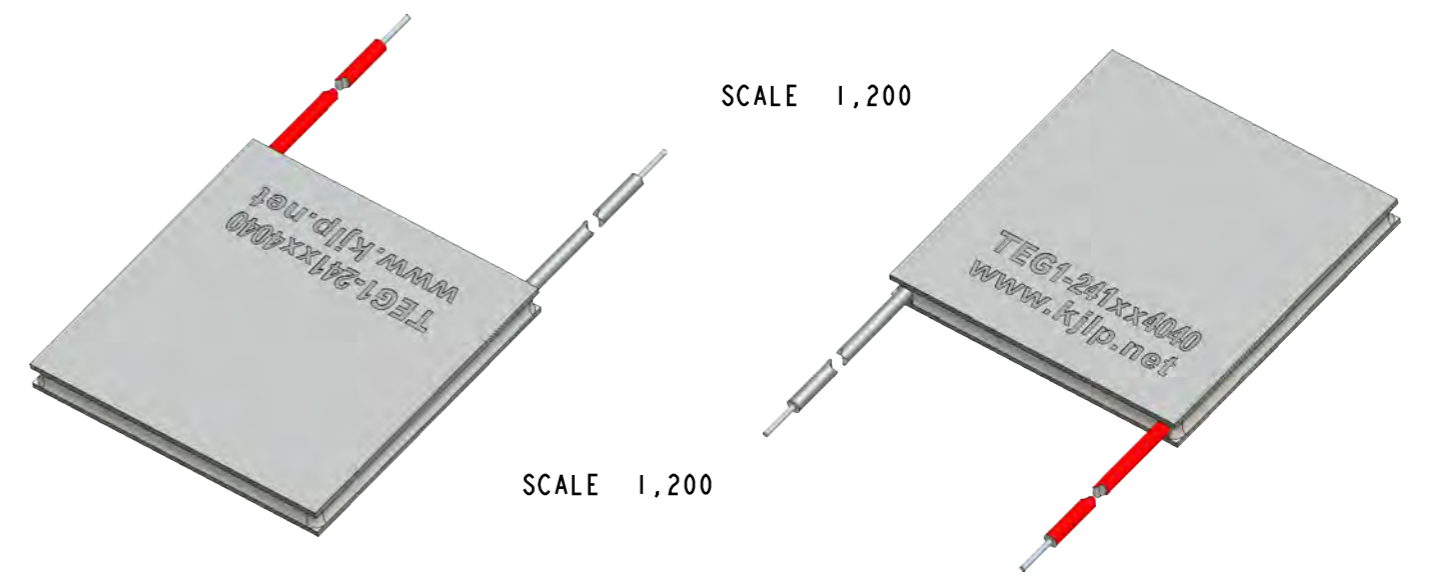
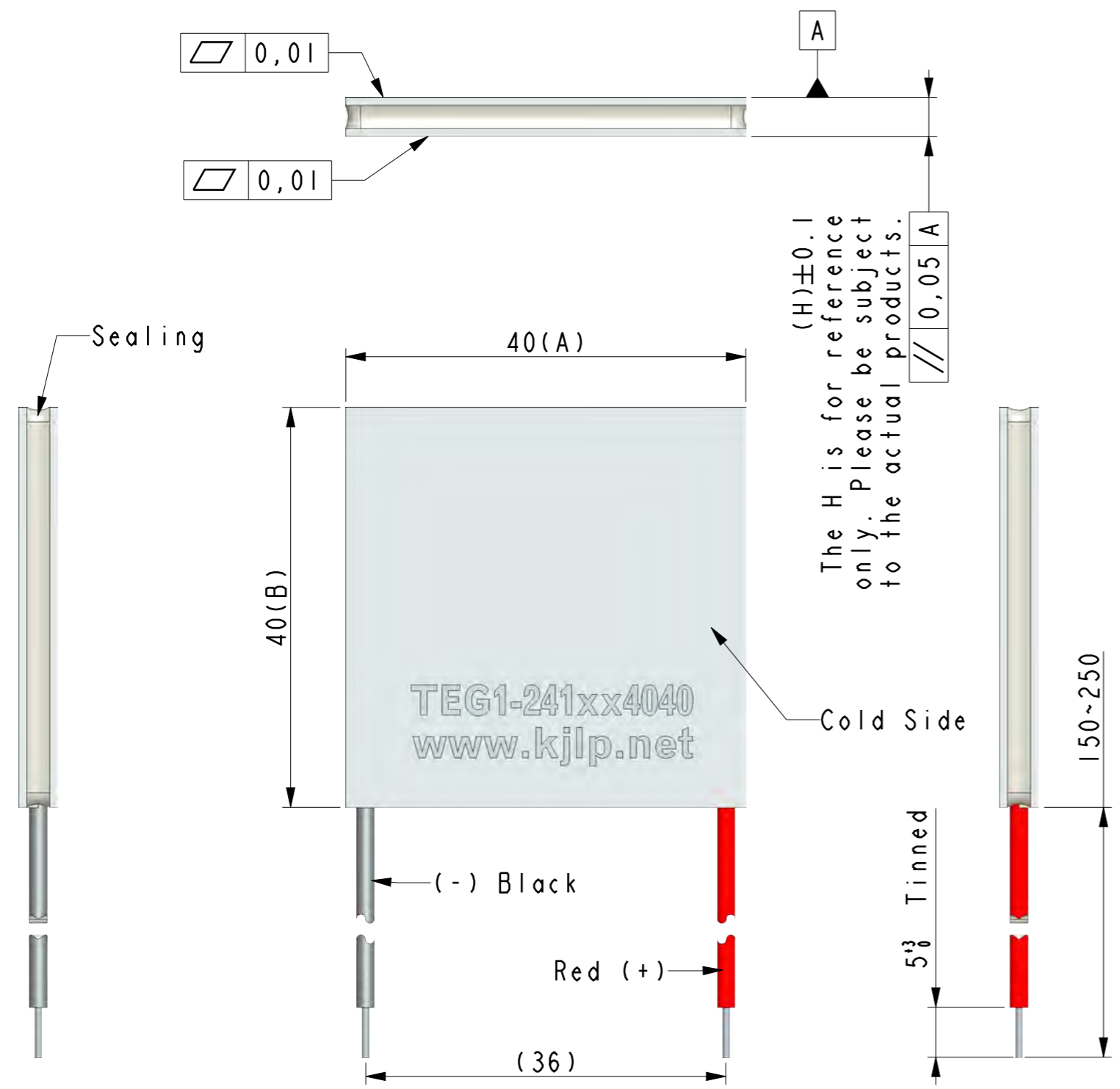


REVISIONS					
REV.	POS.	DESCRIPTION	DATE	DRW	APP
A		INITIAL CREATION	2013/01/01	Gory	Mason



Part Number And Feature:

T	E	G	I	-	2	4	I	x	x	4	0	4	0	Sealing	YES
↓	↓				↓	↓	↓	↓	↓	↓	↓	↓	↓	Operation Temperatur(Max.)	200°C(Max.)
Thermo	Electric	Chip	Stage	Stack	N & P	Stack	Quantity	R	Load	Dimension	(A)	Dimension	(B)	Melting Point	235°C
														Storage Temperature	-60°C~100°C
														RoHS	YES

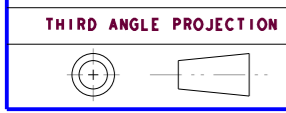
Technical Data:

ITEM	Part NO.	Stack(P&N)	U Load(Max.)	P Load(Max.)	R Load	Uoc	P/N Size	DIM(A)	DIM(B)	DIM(H)
1	TEGI-241594040	241	5.2 V	17.9 W	5.9 Ohm	10 V	0.8*1.0*1.0	40	40	RF2.9
2	TEGI-241884040	241	5.2 V	12.4 W	8.8 Ohm	10 V	1.2*1.0*1.0	40	40	RF3.2
3	TEGI-241114040	241	5.2 V	9.5 W	11.7 Ohm	10 V	1.6*1.0*1.0	40	40	RF3.6
4	TEGI-241144040	241	5.2 V	7.8 W	14.7 Ohm	10 V	2.0*1.0*1.0	40	40	RF4.1
5	TEGI-241184040	241	5.2 V	6.3 W	18.7 Ohm	10 V	2.5*1.0*1.0	40	40	RF4.6

Notes:

1. Printing always on cold side.
2. Tolerance of thermo and electric parameters ±10%.
3. Please mount heat sink before you use it, also, please do not exceed the extra voltage at any time.

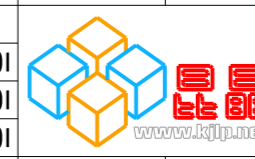
*DO NOT SCALE DRAWING



THIS DRAWING AND THE DATA DISCLOSED HEREIN OR HEREWITH IS NOT TO BE REPR ODUCE
USED OR DISCLOSED OR IN PART TO ANYONE WITHOUT THE PERMISSION OF KJLP (SHENZHEN) ELECTRONICS
CO., LTD.

1. UNLESS OTHERWISE SPECIFIED,
DIMENSIONS ARE MM
2 TOLERANCE ARE AS FOLLOWS:
0 < X < 2 ± 0.06
2 < X < 10 ± 0.08
10 < X < 50 ± 0.12
50 < X < 100 ± 0.16
100 < X < 200 ± 0.20
200 < X < 300 ± 0.30
ANGLES ± 0.5°

PART NO.	TEGI-241xx4040	DESCRIPTION	241 P&N, 17.9~6.3 W(Max.), 40*40mm		
SIGNATURE		DATE			
DRAWN BY	Gory	2013/01/01			
CHECKED BY	Justin	2013/01/01			
ENGR	Vivi	2013/01/01			
APPROVED BY	Mason	2013/01/01	CAD MODLE:	TEGI-241xx4040.prt	SCALE: 1:1
ISSUED BY	Jack	2013/01/01	CAD DWG:	TEGI-241xx4040.drw	REV: A



昆晶冷片(深圳)电子有限公司
KJLP (SHENZHEN) ELECTRONICS CO., LTD
email: kjlp@kjlp.net http:// www.kjlp.net
Tel: +86-755-82528352 Fax: +86-755-22639899