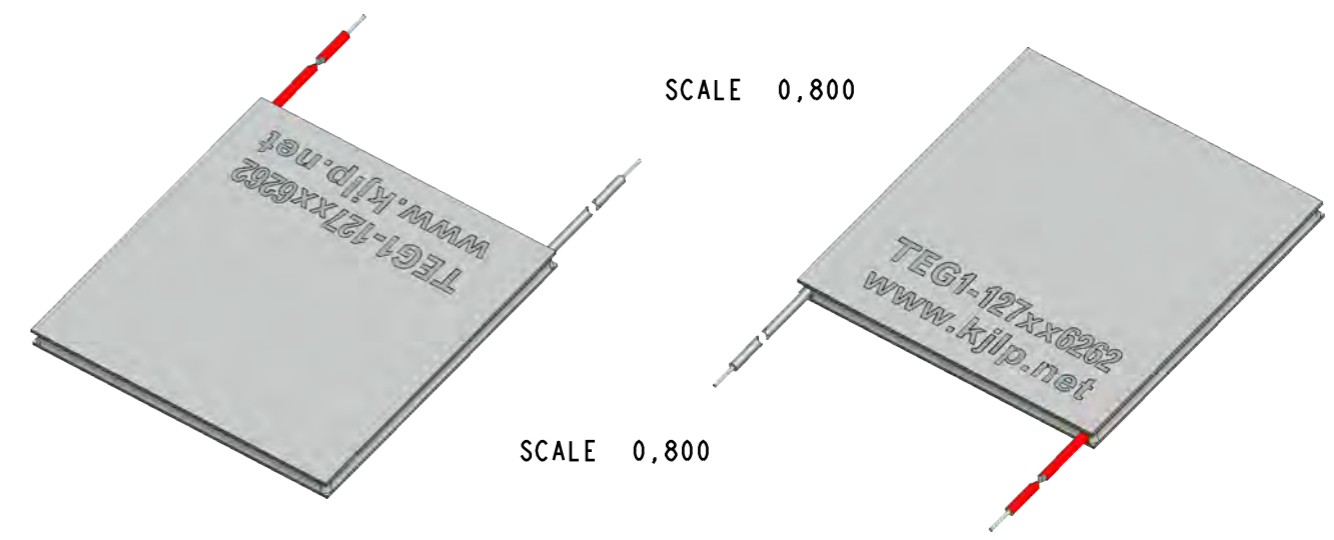
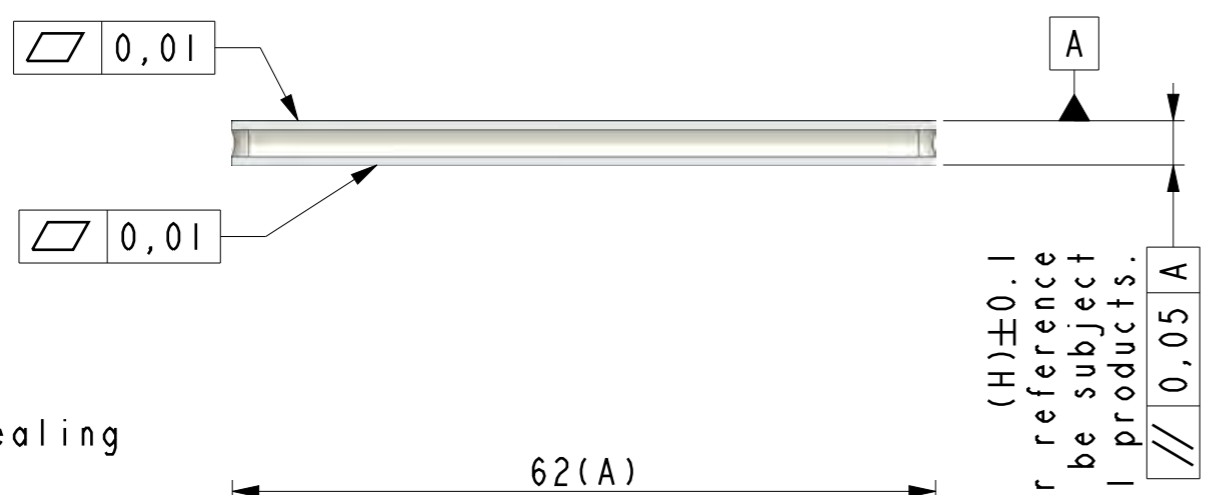


REVISIONS					
REV.	POS.	DESCRIPTION	DATE	DRW	APP
A		INITIAL CREATION	2013/01/01	Gory	Meson



Part Number And Feature:

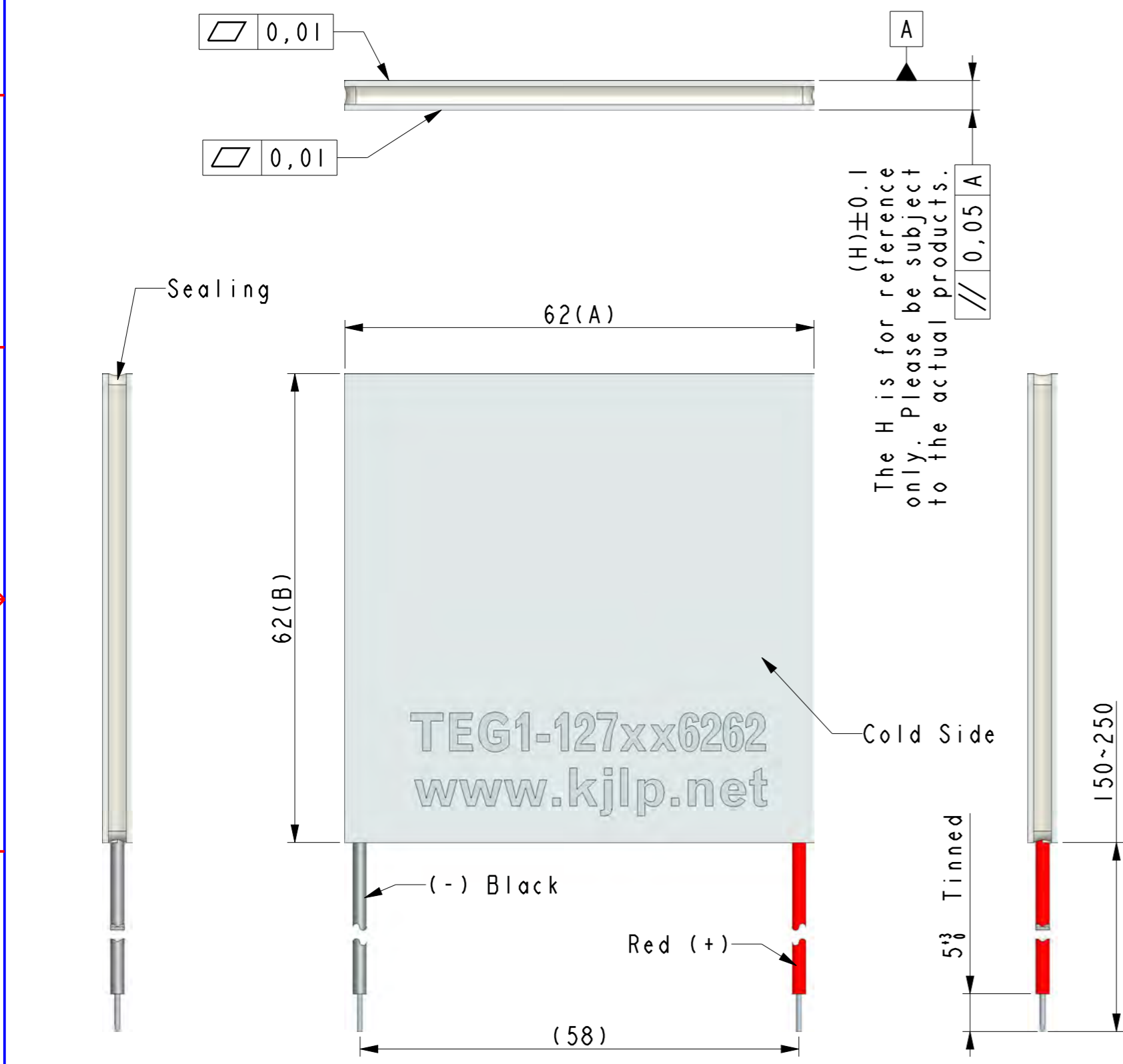
T	E	G	-	1	2	7	x	x	6	2	6	2	Sealing	YES
	↓				↓		↓		↓		↓		Operation Temperatur(Max.)	200°C(Max.)
Thermo	Electric	Chip	Stage	N & P	Stack	Quantity	R	Load	Dimension (A)	Dimension (B)			Melting Point	235°C
													Storage Temperature	-60°C~100°C
													RoHS	YES

Technical Data:

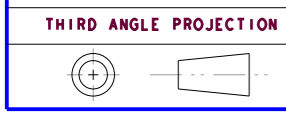
ITEM	Part NO.	Stack(P&N)	U Load(Max.)	P Load(Max.)	R Load(Max.)	Uoc	P/N Size	DIM(A)	DIM(B)	DIM(H)
1	TEG1-127106262	127	2.85 V	29 W	1.0 Ohm	5.3 V	1.6*2.5*2.5	62	62	RF4.3

Notes:

1. Printing always on cold side.
2. Tolerance of thermo and electric parameters $\pm 10\%$.
3. Please mount heat sink before you use it. also, please do not exceed the extra voltage at any time.



*DO NOT SCALE DRAWING



THIS DRAWING AND THE DATA DISCLOSED HEREIN OR HEREWITH IS NOT TO BE REPR ODUCE
USED OR DISCLOSED OR IN PART TO ANYONE WITHOUT THE PERMISSION OF KJLP (SHENZHEN) ELECTRONICS
CO., LTD.

1. UNLESS OTHERWISE SPECIFIED,
DIMENSIONS ARE MM
2 TOLERANCE ARE AS FOLLOWS:
0 < X < 2 ± 0.06
2 < X < 10 ± 0.08
10 < X < 50 ± 0.12
50 < X < 100 ± 0.16
100 < X < 200 ± 0.20
200 < X < 300 ± 0.30
ANGLES ± 0.5°

PART NO.	TEG1-127xx6262		DESCRIPTION	127 P&N, 29W(Max.), 62*62mm		
	SIGNATURE	DATE		昆晶冷片(深圳)电子有限公司		
DRAWN BY	Gory	2013/01/01		KJLP (SHENZHEN) ELECTRONICS CO., LTD		
CHECKED BY	Justin	2013/01/01		email: kjlp@kjlp.net http:// www.kjlp.net		
ENGR	Vivi	2013/01/01		Tel: +86-755-82528352 Fax: +86-755-22639899		
APPROVED BY	Mason	2013/01/01	CAD MODLE:	TEG1-127xx6262.prt	SCALE: 1:1	REV: A
MATERIAL:	ISSUED BY	Jack	2013/01/01	CAD DWG:	TEG1-127xx6262.drw	SIZE: A3 SHEET: 1 OF 1