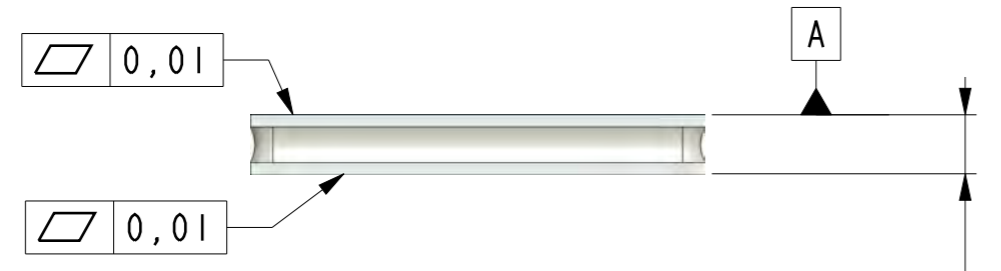
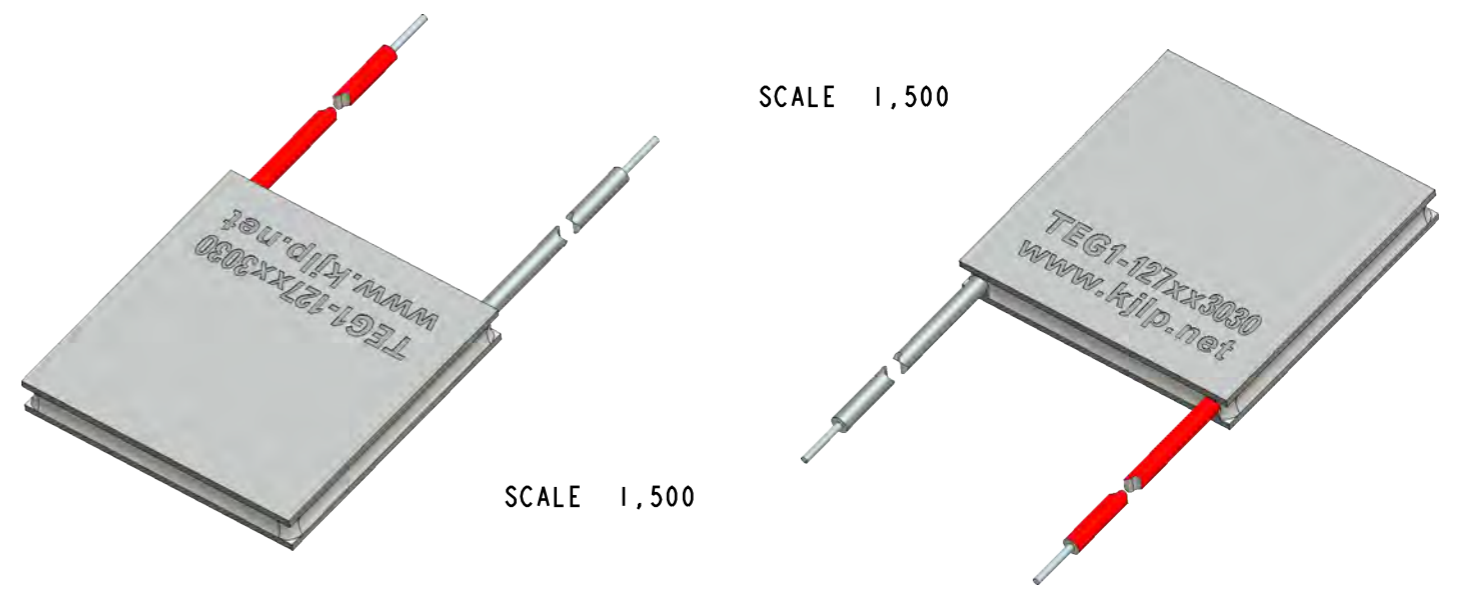


REVISIONS						
REV.	POS.	DESCRIPTION	DATE	DRW	APP	ECR#
A		INITIAL CREATION	2013/01/01	Gory	Mason	



3. x ~ 4. x ± 0.1 (H) (H) ± 0.1  
 The H is for reference only. Please be subject to the actual products.  
 // 0.05 A



Part Number And Feature:

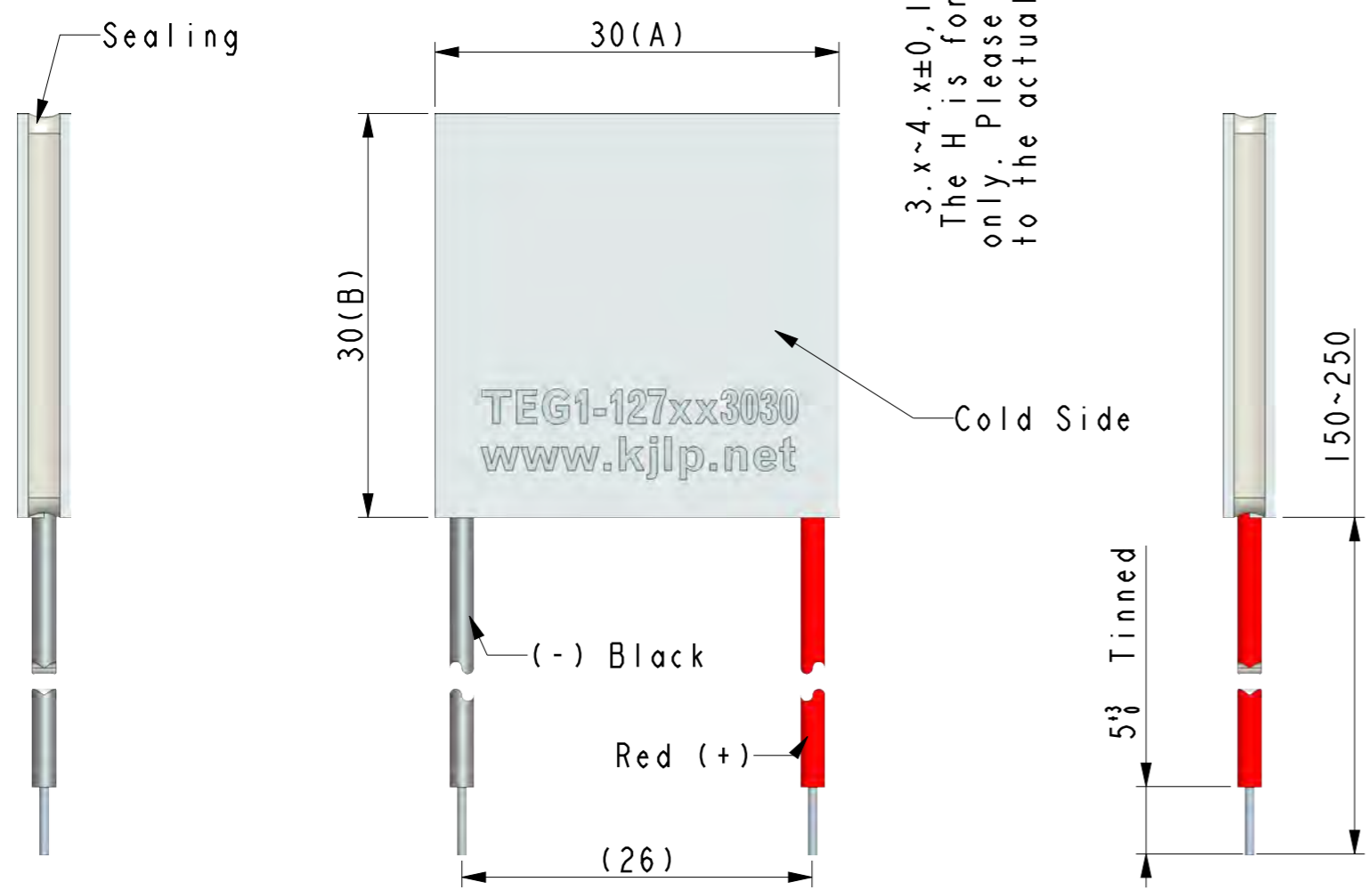
T	E	G	-	1	2	7	x	x	3	0	3	0	Sealing	YES
Thermo	Electric	Chip	Stage	N & P	Stack	Quantity	R	Load	Dimension (A)	Dimension (B)			Operation Temperatur(Max.)	200°C (Max.)
													Melting Point	235°C
													Storage Temperature	-60°C ~ 100°C
													RoHS	YES

Technical Data:

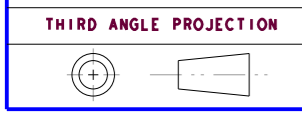
ITEM	Part NO.	Stack(P&N)	U Poed(Max.)	P Load(Max.)	R Load(Max.)	Uoc	P/N Size	DIM(A)	DIM(B)	DIM(H)
1	TEGI-127503030	127	3.4 V	3.1 W	5.0 Ohm	6.4 V	1.3*1.0*1.0	30	30	RF3.5
2	TEGI-127653030	127	3.4 V	2.6 W	6.5 Ohm	6.4 V	1.6*1.0*1.0	30	30	RF3.8
3	TEGI-127803030	127	3.4 V	2.3 W	8.0 Ohm	6.4 V	1.6*1.0*1.0	30	30	RF4.2

Notes:

1. Printing always on cold side.
2. Tolterance of thermo and electric parameters ±10%.
3. Please mount heat sink before you use it. also, please do not exceed the extra voltage at any time.



\*DO NOT SCALE DRAWING



THIS DRAWING AND THE DATA DISCLOSED HEREIN OR HEREWITH IS NOT TO BE REPR ODUCE  
 USED OR DISCLOSED OR IN PART TO ANYONE WITHOUT THE PERMISSION OF KJLP (SHENZHEN) ELECTRONICS  
 CO., LTD.

1. UNLESS OTHERWISE SPECIFIED,  
 DIMENSIONS ARE MM  
 2. TOLERANCE ARE AS FOLLOWS:  
 0 < X < 2 ± 0.06  
 2 < X < 10 ± 0.08  
 10 < X < 50 ± 0.12  
 50 < X < 100 ± 0.16  
 100 < X < 200 ± 0.20  
 200 < X < 300 ± 0.30  
 ANGLES ± 0.5°

PART NO.	TEGI-127xx3030		DESCRIPTION	127 P&N, 3.1~2.3W(Max.), 30*30mm					
	SIGNATURE	DATE		 昆晶冷片(深圳)电子有限公司 KJLP (SHENZHEN) ELECTRONICS CO., LTD email: kjlp@kjlp.net http:// www.kjlp.net Tel: +86-755-82528352 Fax: +86-755-22639899					
DRAWN BY	Gory	2013/01/01							
CHECKED BY	Justin	2013/01/01							
ENGR	Vivi	2013/01/01							
APPROVED BY	Mason	2013/01/01							
MATERIAL:	ISSUED BY	Jack	2013/01/01	CAD MODLE:	TEGI-127xx3030.prt	SCALE:	1:1	REV:	A
				CAD DWG:	TEGI-127xx3030.drw	SIZE:	A3	SHEET:	1 OF 1