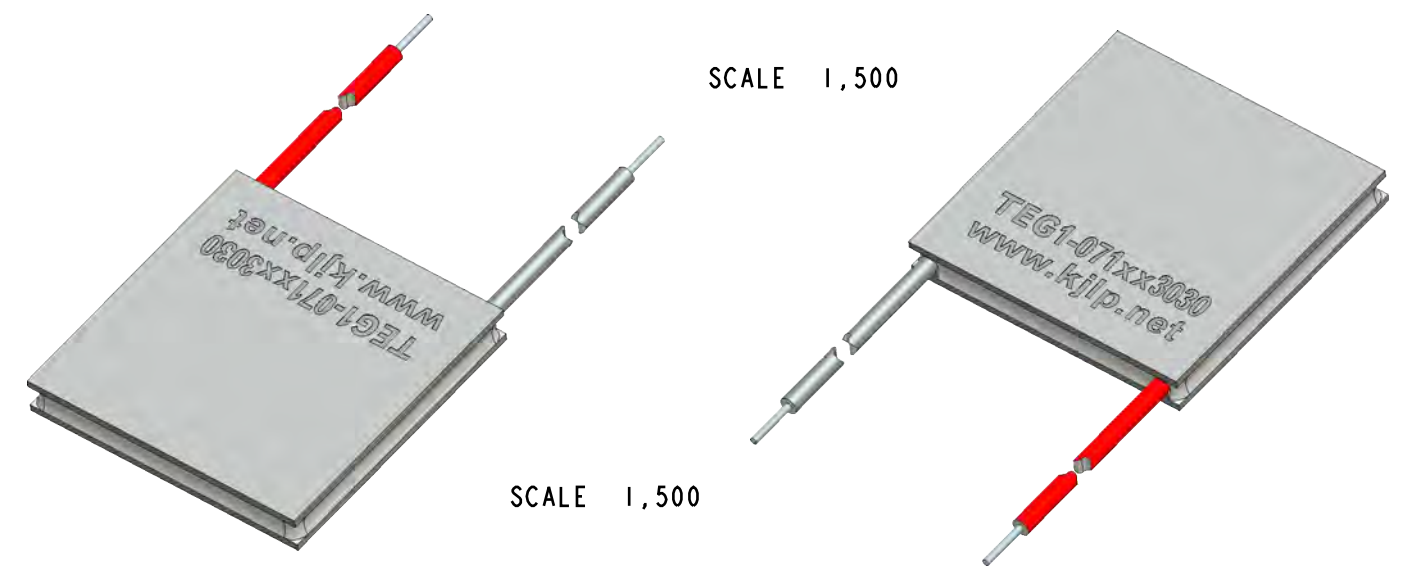
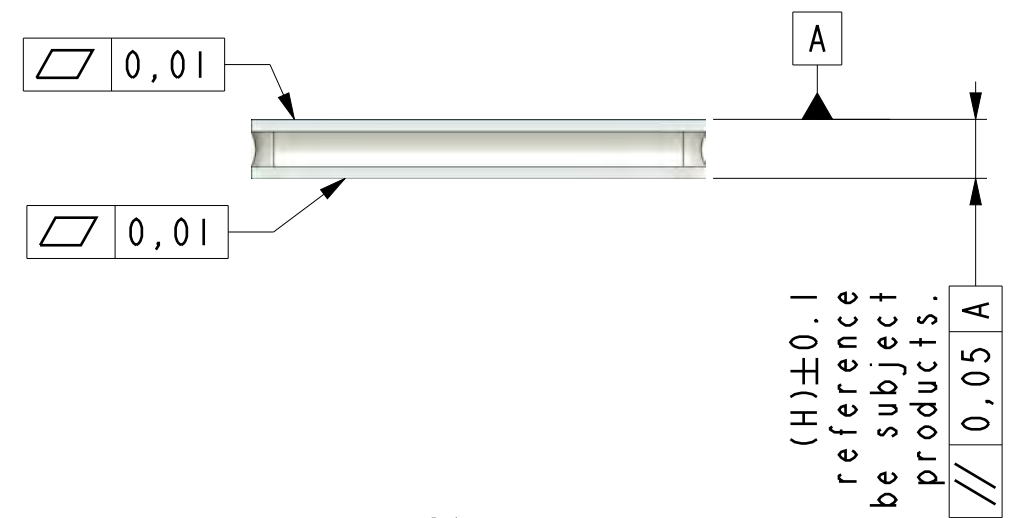


REVISIONS						
REV.	POS.	DESCRIPTION	DATE	DRW	APP	ECR#
A		INITIAL CREATION	2013/01/01	Gory	Mason	



Part Number And Feature:

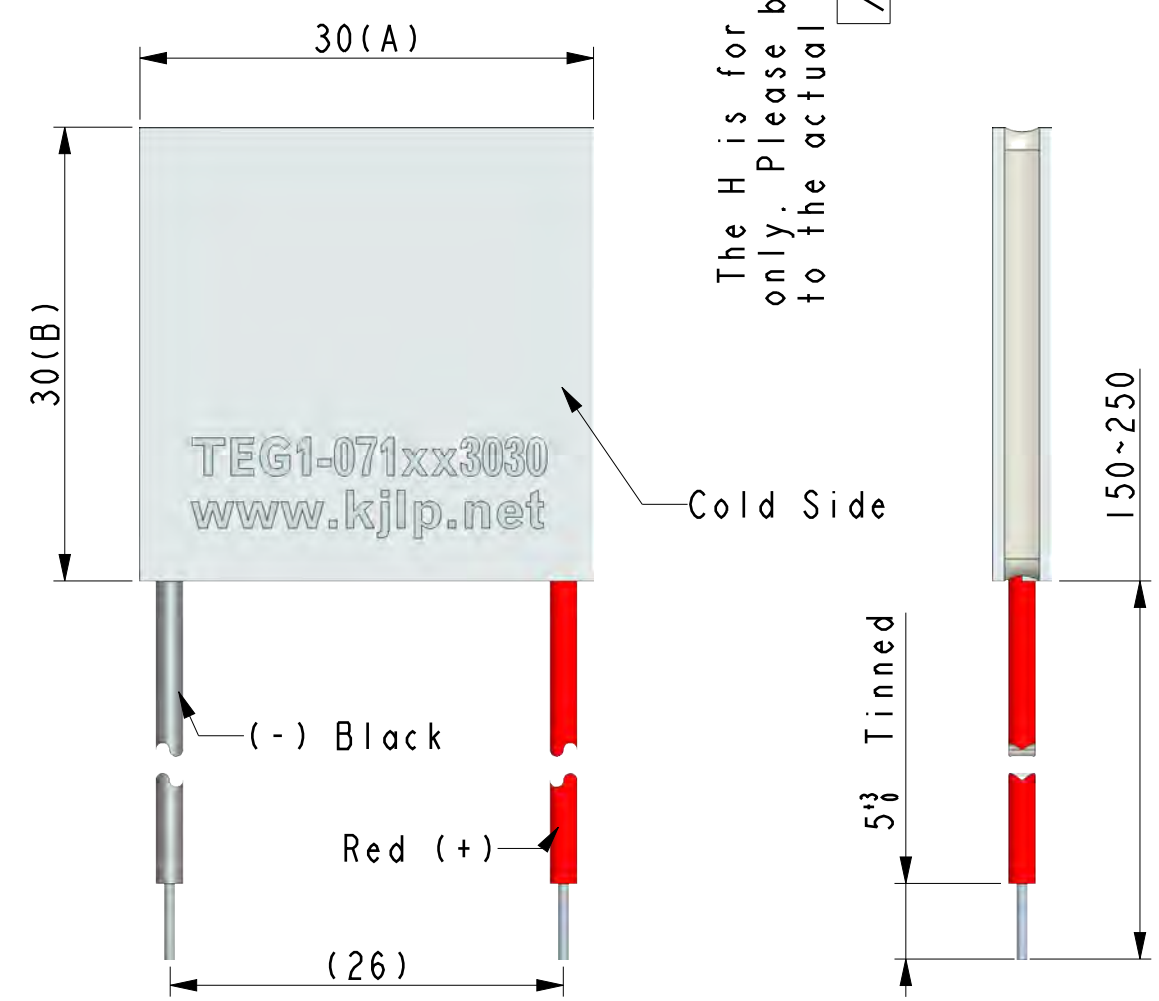
T	E	G	-	0	7	1	x	x	3	0	3	0		
Thermo	Electric	Chip	Stage	N & P	Stack	Quantity	R	Load	Dimension	(A)	Dimension	(B)	Sealing	YES
													Operation Temperatur(Max.)	200°C(Max.)
													Melting Point	235°C
													Storage Temperature	-60°C~100°C
													RoHS	YES

Technical Data:

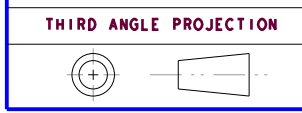
ITEM	Part NO.	Stack(P&N)	U Load(Max.)	P Load(Max.)	R Load(Max.)	Uoc	P/N Size	DIM(A)	DIM(B)	DIM(H)
I	TEG1-071193030	071	2.1 V	4.9 W	1.9 Ohm	4.5 V	1.6*1.4*1.4	30	30	RF3.8

Notes:

1. Printing always on cold side.
2. Torlerance of thermo and electric parameters ±10%.
3. Please mount heat sink before you use it. also, please do not exceed the extra voltage at any time.



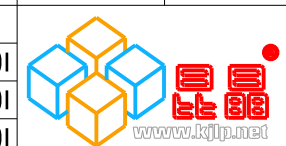
\*DO NOT SCALE DRAWING



THIS DRAWING AND THE DATA DISCLOSED HEREIN OR HEREWITH IS NOT TO BE REPR ODUCE  
USED OR DISCLOSED OR IN PART TO ANYONE WITHOUT THE PERMISSION OF KJLP (SHENZHEN) ELECTRONICS  
CO., LTD.

1. UNLESS OTHERWISE SPECIFIED,  
DIMENSIONS ARE MM  
2 TOLERANCE ARE AS FOLLOWS:  
0 < X < 2 ± 0.06  
2 < X < 10 ± 0.08  
10 < X < 50 ± 0.12  
50 < X < 100 ± 0.16  
100 < X < 200 ± 0.20  
200 < X < 300 ± 0.30  
ANGLES ± 0.5°

PART NO.	TEG1-071xx3030	DESCRIPTION	071 P&N, 4.9W(Max.), 30*30mm
SIGNATURE		DATE	
DRAWN BY	Gory	2013/01/01	
CHECKED BY	Justin	2013/01/01	
ENGR	Vivi	2013/01/01	
APPROVED BY	Mason	CAD MODLE:	TEG1-071xx3030.prt
ISSUED BY	Jack	CAD DWG:	TEG1-071xx3030.drw
MATERIAL:		CAD MODLE:	TEG1-071xx3030.prt
MATERIAL:		CAD DWG:	TEG1-071xx3030.drw
SCALE: 1:1		REV: A	
SIZE: A3		SHEET: 1 OF 1	



昆晶冷片 (深圳) 电子有限公司  
KJLP (SHENZHEN) ELECTRONICS CO., LTD  
email: kjlp@kjlp.net http:// www.kjlp.net  
Tel: +86-755-82528352 Fax: +86-755-22639899