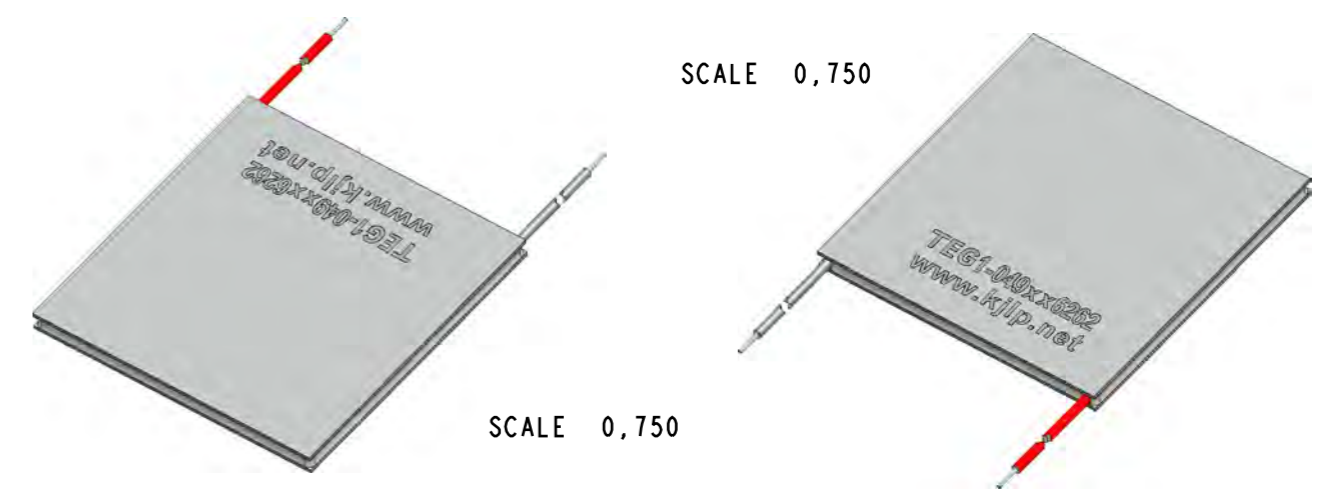
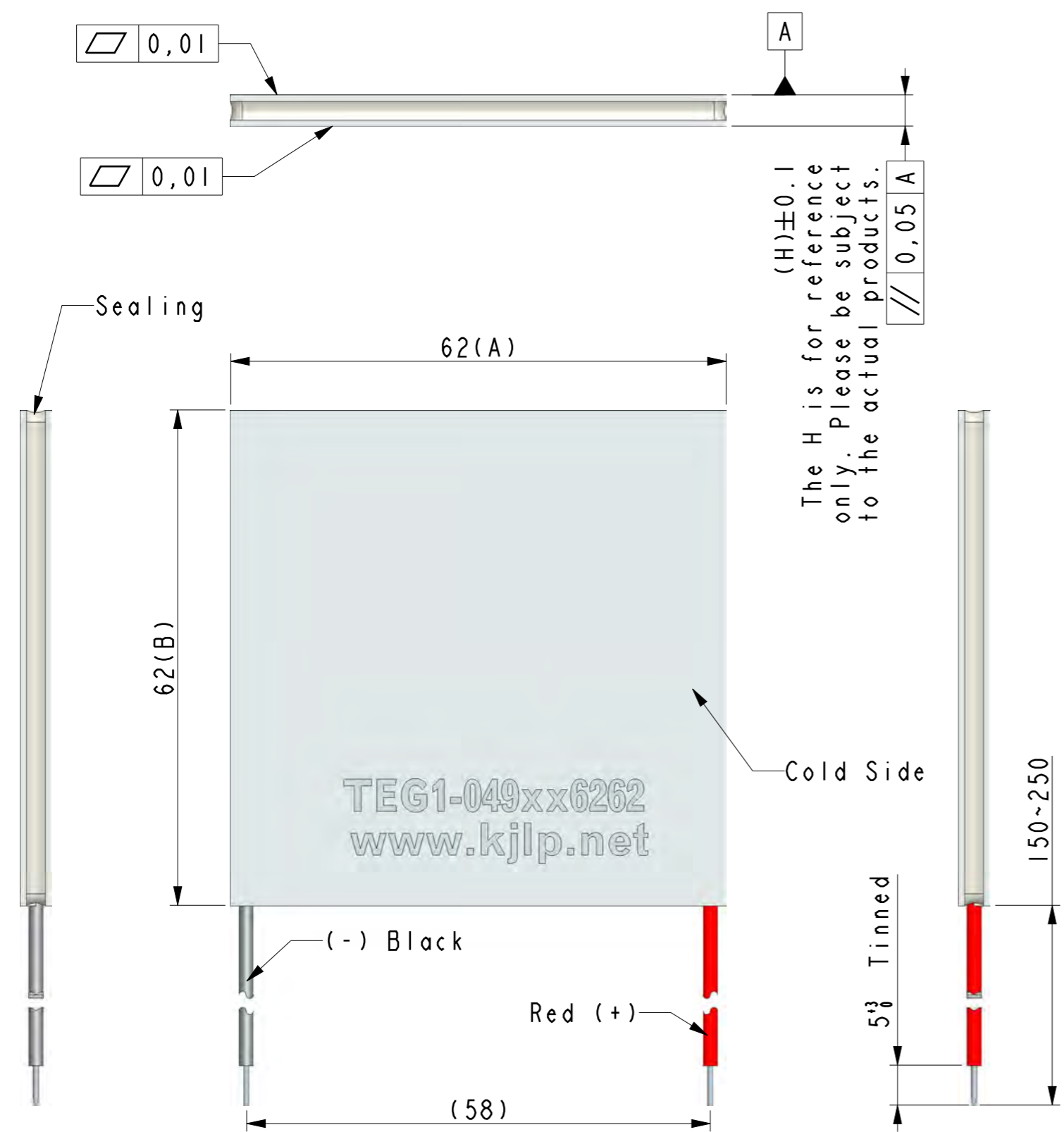


REVISIONS					
REV.	POS.	DESCRIPTION	DATE	DRW	APP
A		INITIAL CREATION	2013/01/01	Gory	Mason



Part Number And Feature:

T	E	G	I	-	0	4	9	x	x	6	2	6	2	Sealing	YES
↓	↓				↓			↓		↓		↓		Operation Temperatur(Max.)	200°C(Max.)
Thermo	Electric	Chip	Stage	Stack	N & P	Stack	Quantity	R	Load	Dimension	(A)	Dimension	(B)	Melting Point	235°C
														Storage Temperature	-60°C~100°C
														RoHS	YES

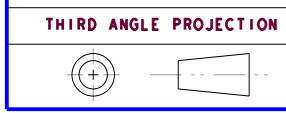
Technical Data:

ITEM	Part NO.	Stack(P&N)	U Load(Max.)	P Load(Max.)	R Load(Max.)	Uoc	P/N Size	DIM(A)	DIM(B)	DIM(H)
1	TEGI-049206262	049	1.53 V	14 W	2.0 Ohm	3.4 V	2.0*4.5*4.5	62	62	RF4.5
2	TEGI-049026262	049	1.53 V	13.2 W	0.2 Ohm	3.4 V	2.5*4.5*4.5	62	62	RF5.0

Notes:


1. Printing always on cold side.
2. Torlerance of thermo and electric parameters ±10%.
3. Please mount heat sink before you use it. also, please do not exceed the extra voltage at any time.

*DO NOT SCALE DRAWING



THIS DRAWING AND THE DATA DISCLOSED HEREIN OR HEREWITH IS NOT TO BE REPR ODUCE
USED OR DISCLOSED OR IN PART TO ANYONE WITHOUT THE PERMISSION OF KJLP (SHENZHEN) ELECTRONICS
CO., LTD.

1. UNLESS OTHERWISE SPECIFIED,
DIMENSIONS ARE MM
2 TOLERANCE ARE AS FOLLOWS:
0 < X < 2 ± 0.06
2 < X < 10 ± 0.08
10 < X < 50 ± 0.12
50 < X < 100 ± 0.16
100 < X < 200 ± 0.20
200 < X < 300 ± 0.30
ANGLES ± 0.5°

PART NO.	TEGI-049xx6262	DESCRIPTION	049 P&N, 14~13.2W(Max.), 62*62mm						
SIGNATURE		DATE	 昆晶冷片(深圳)电子有限公司 KJLP (SHENZHEN) ELECTRONICS CO., LTD email: kjlp@kjlp.net http:// www.kjlp.net Tel: +86-755-82528352 Fax: +86-755-22639899						
DRAWN BY	Gory	2013/01/01							
CHECKED BY	Justin	2013/01/01							
ENGR	Vivi	2013/01/01							
APPROVED BY	Mason	2013/01/01							
MATERIAL:	ISSUED BY	Jack	2013/01/01	CAD MODLE:	TEGI-049xx6262.prt	SCALE:	1:1	REV:	A
				CAD DWG:	TEGI-049xx6262.drw	SIZE:	A3	SHEET:	1 OF 1