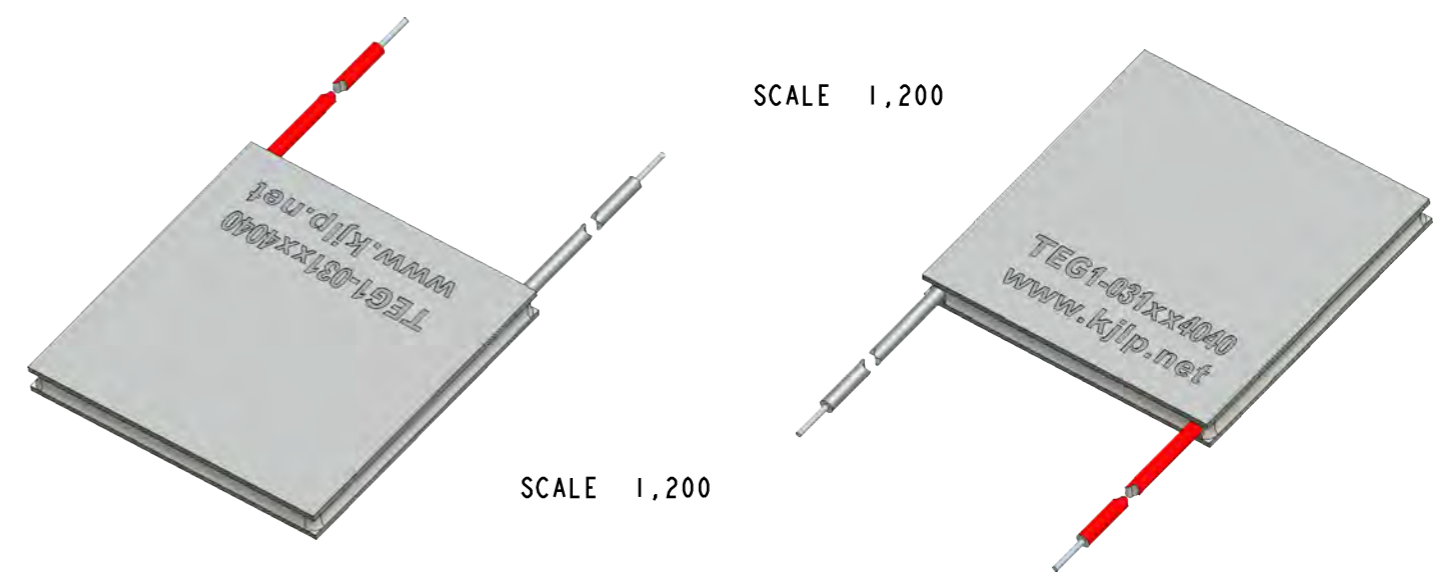
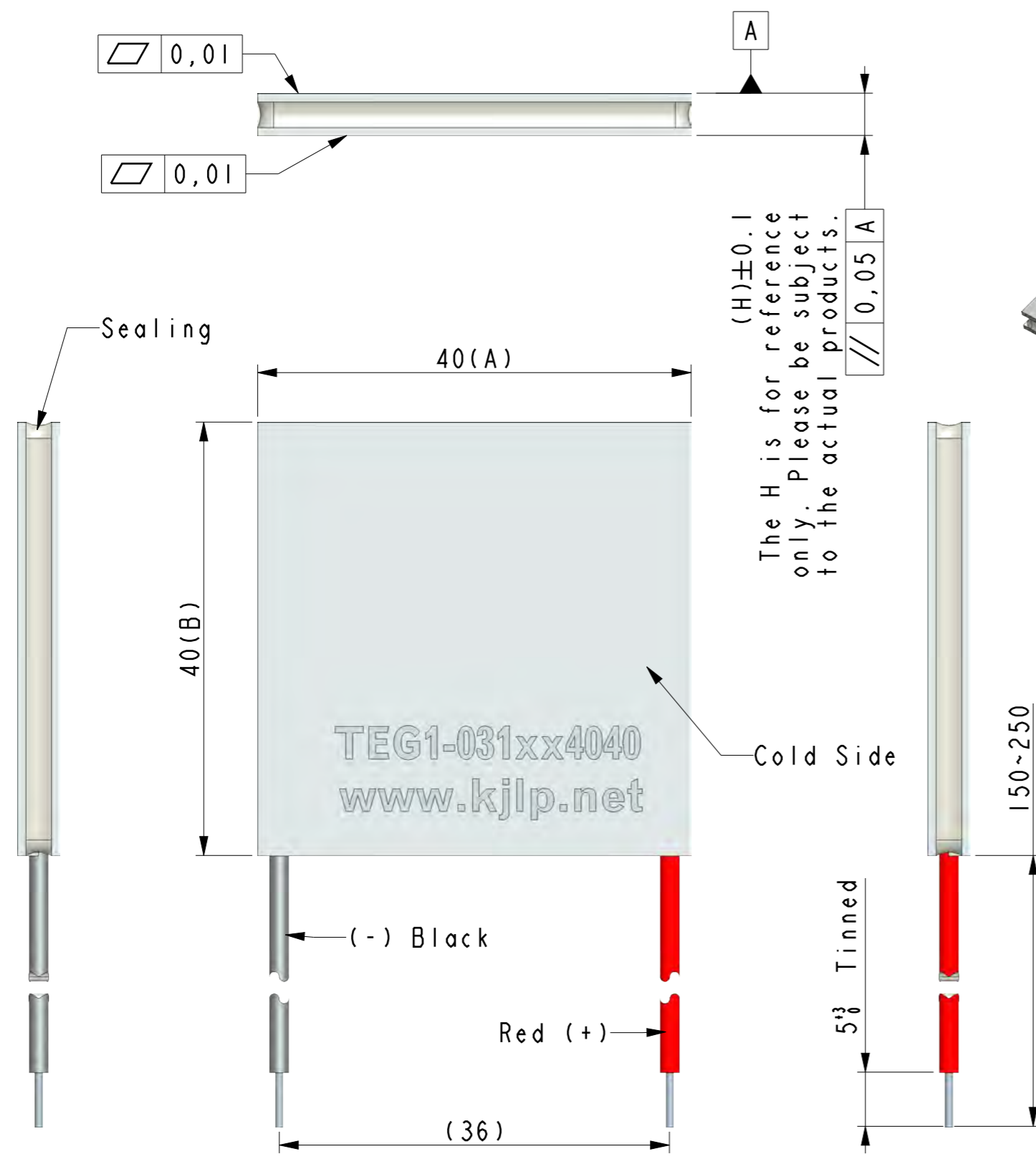


REVISIONS						
REV.	POS.	DESCRIPTION	DATE	DRW	APP	ECR#
A		INITIAL CREATION	2013/01/01	Gory	Mason	



Part Number And Feature:

T	E	G	-	0	3	1	x	x	4	0	4	0	Sealing	YES
↓	↓			↓	↓	↓	↓	↓	↓	↓	↓	↓	Operation Temperatur(Max.)	200°C(Max.)
Thermo	Electric	Chip	Stage	N & P	Stack	Quantity	R	Load	Dimension (A)	Dimension (B)			Melting Point	235°C
													Storage Temperature	-60°C~100°C
													RoHS	YES

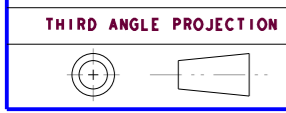
Technical Data:

ITEM	Part NO.	Stack(P&N)	U Load(Max.)	P Load(Max.)	R Load	Uoc	P/N Size	DIM(A)	DIM(B)	DIM(H)
I	TEG1-031014040	031	0.9V	3.7 W	0.1 Ohm	1.3 V	1.2*2.8*2.8	40	40	RF3.5

Notes:

1. Printing always on cold side.
2. Torlerance of thermo and electric parameters ±10%.
3. Please mount heat sink before you use it. also, please do not exceed the extra voltage at any time.

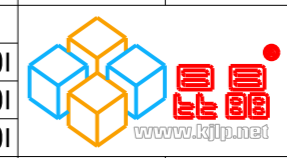
\*DO NOT SCALE DRAWING



THIS DRAWING AND THE DATA DISCLOSED HEREIN OR HEREWITH IS NOT TO BE REPR ODUCE  
USED OR DISCLOSED OR IN PART TO ANYONE WITHOUT THE PERMISSION OF KJLP (SHENZHEN) ELECTRONICS  
CO., LTD.

1. UNLESS OTHERWISE SPECIFIED,  
DIMENSIONS ARE MM  
2 TOLERANCE ARE AS FOLLOWS:  
0 < X < 2 ± 0.06  
2 < X < 10 ± 0.08  
10 < X < 50 ± 0.12  
50 < X < 100 ± 0.16  
100 < X < 200 ± 0.20  
200 < X < 300 ± 0.30  
ANGLES ± 0.5°

PART NO.	TEG1-031xx4040	DESCRIPTION	031 P&N, 3.7W(Max.), 40*40mm		
SIGNATURE		DATE			
DRAWN BY	Gory	2013/01/01			
CHECKED BY	Justin	2013/01/01			
ENGR	Vivi	2013/01/01			
APPROVED BY	Mason	CAD MODLE:	TEG1-031xx4040.prt	SCALE: 1:1	REV: A
ISSUED BY	Jack	CAD DWG:	TEG1-031xx4040.drw	SIZE: A3	SHEET: 1 OF 1



昆晶冷片 (深圳) 电子有限公司  
KJLP (SHENZHEN) ELECTRONICS CO., LTD  
email: kjlp@kjlp.net http:// www.kjlp.net  
Tel: +86-755-82528352 Fax: +86-755-22639899