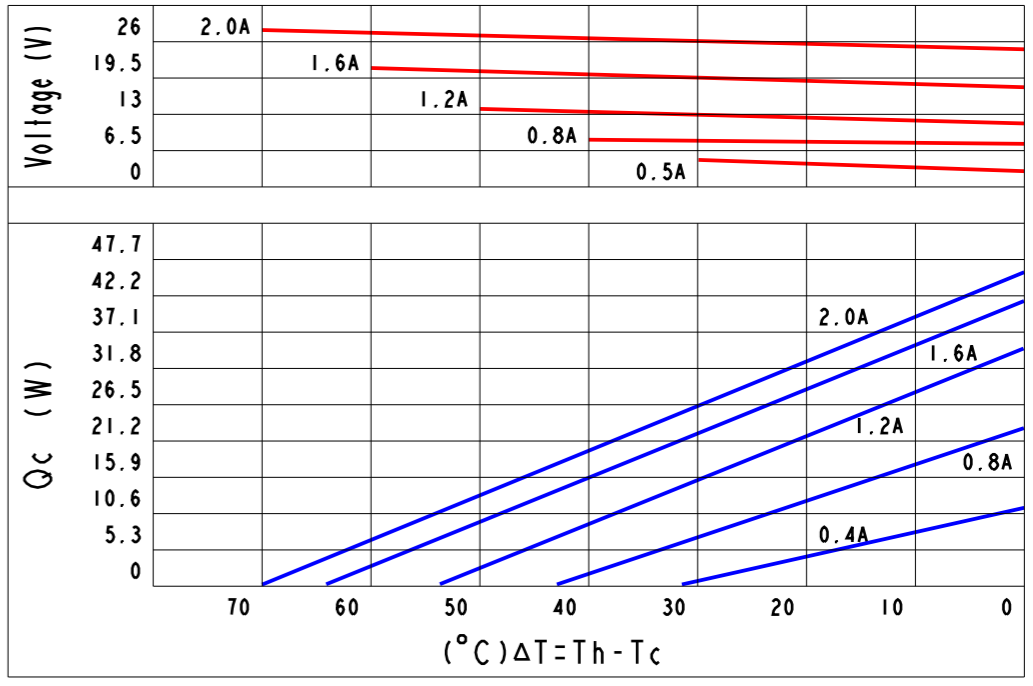


REVISIONS					
REV.	POS.	DESCRIPTION	DATE	DRW	APP
A		INITIAL CREATION	2013/01/01	Gary	Mason

Curve Chart(Be Confined To TEC1-200022263):



Part Number And Feature:

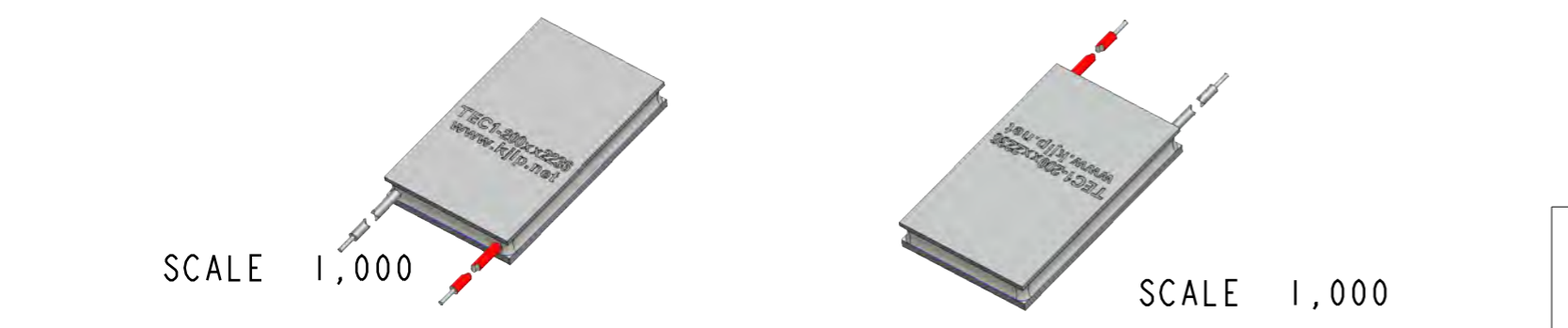
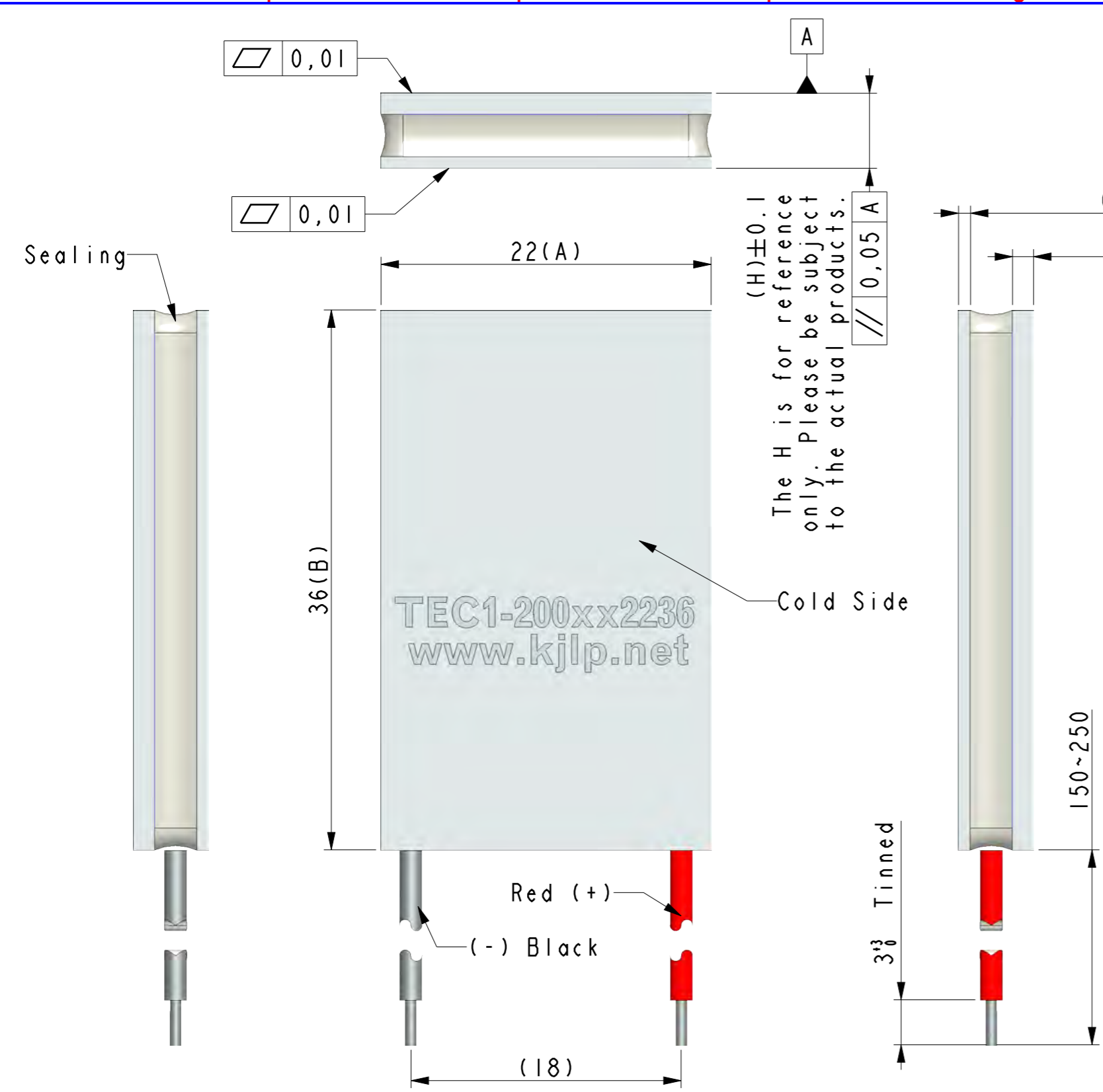
T	E	C	I	-	2	0	0	x	x	2	2	3	6	Sealing	YES
↓	↓				↓	↓	↓	↓	↓					Operation Temperature	125°C(Max.)
Thermo	Electric	Chip	Stage	Stack	N & P	Stack	Quantity	Current	A(Max.)	Dimension	(A)	Dimension	(B)	Melting Point	138°C
														Storage Temperature	-60°C~100°C
														RoHS	YES

Technical Data:

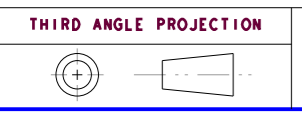
ITEM	Part NO.	Stack(P&N)	A(Max.)	V(Max.)	Qc(W) /Th=27°C/ ΔT(°C)	DIM(A)	DIM(B)	DIM(H)
1	TECI-200022236	200	2 A	26 V	48W 70°C	22	36	RF4.3

Notes:

1. Printing always on cold side.
2. Tolerance of thermo and electric parameters ±10%.
3. Please mount heat sink before you use it, also, please do not exceed the extra voltage at any time.
4. Please contact with us if you need Melting Point 183°C (Operation Temperature 150°C Max.) and 235°C (Operation Temperature 200°C Max.) type.



*DO NOT SCALE DRAWING



THIS DRAWING AND THE DATA DISCLOSED HEREIN OR HERewith IS NOT TO BE REPR ODUCEd USED OR DISCLOSED OR IN PART TO ANYONE WITHOUT THE PERMISSION OF KJLP (SHENZHEN) ELECTRONICS CO., LTD.

1. UNLESS OTHERWISE SPECIFIED, DIMENSIONS ARE MM
2. TOLERANCE ARE AS FOLLOWS:
0 < X < 2 ± 0.06
2 < X < 10 ± 0.08
10 < X < 50 ± 0.12
50 < X < 100 ± 0.16
100 < X < 200 ± 0.20
200 < X < 300 ± 0.30
ANGLES ± 0.5°

PART NO.	TECI-200xx2236		DESCRIPTION	DC 26V(Max.),2A(Max.),200 P&N,22*36mm			
	SIGNATURE	DATE		昆晶冷片(深圳)电子有限公司			
DRAWN BY	Gary	2013/01/01	 www.kjlp.net	KJLP (SHENZHEN) ELECTRONICS CO., LTD			
CHECKED BY	Justin	2013/01/01		email: kjlp@kjlp.net http:// www.kjlp.net			
ENGR	Vivi	2013/01/01		Tel: +86-755-82528352 Fax: +86-755-22639899			
APPROVED BY	Mason	2013/01/01		CAD MODLE:	TECI-200xx2236.prt	SCALE: 1:1	REV: A
MATERIAL:	ISSUED BY	Jack	2013/01/01	CAD DWG:	TECI-200xx2236.drw	SIZE: A3	SHEET: 1 OF 1